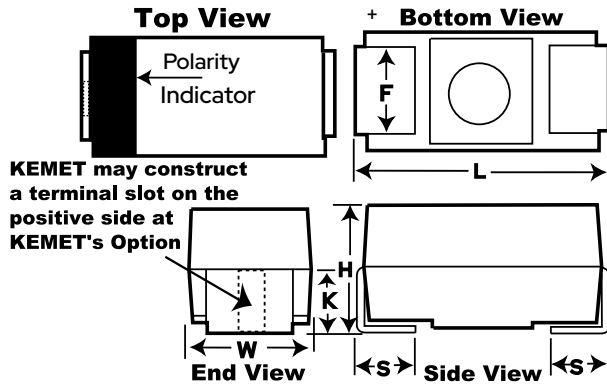


Obsolete

B45196P, Tantalum, MnO2 Tantalum, High Temperature, 22 uF, 10%, 20 VDC, SMD, Molded, High Temperature, N/A, 700 mOhms, 7343, 3.1 mm, 1.3 mm



General Information

Series	B45196P
Dielectric	MnO2 Tantalum
Style	SMD Chip
Description	SMD, Molded, High Temperature
Features	High Temperature, Automotive
RoHS	Yes
Termination	Tin
Qualifications	AEC-Q200
AEC-Q200	Yes

Specifications

Capacitance	22 uF
Tolerance	10%
Voltage DC	20 VDC (85C), 15.94 VDC (125C), 13.4 VDC (150C)
Temperature Range	-55/+150°C
Rated Temperature	85°C
Dissipation Factor	4.5%
Failure Rate	N/A
ESR	0.7 Ohms (100kHz)
Ripple Current	462.9 mAmps (25C), 416.6 mAmps (85C), 185.2 mAmps (125C)
Leakage Current	4.4 uA

Dimensions

L	7.3mm +/-0.3mm
W	4.3mm +/-0.3mm
H	2.8mm +/-0.3mm
S	1.3mm +/-0.3mm
F	2.4mm +/-0.1mm

Packaging Specifications

Packaging	T&R, 178mm
Packaging Quantity	750

Statements of suitability for certain applications are based on our knowledge of typical operating conditions for such applications, but are not intended to constitute - and we specifically disclaim - any warranty concerning suitability for a specific customer application or use. This Information is intended for use only by customers who have the requisite experience and capability to determine the correct products for their application. Any technical advice inferred from this Information or otherwise provided by us with reference to the use of our products is given gratis, and we assume no obligation or liability for the advice given or results obtained.