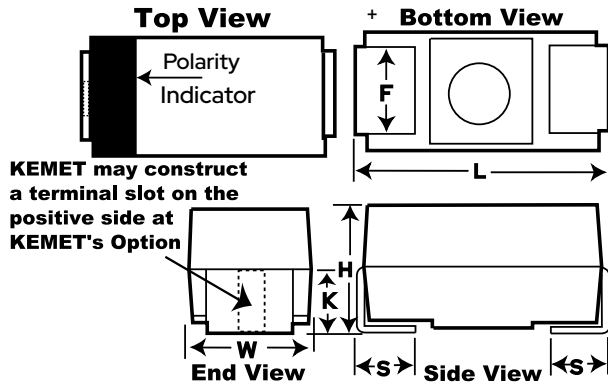


Obsolete

B450, Tantalum, MnO2 Tantalum, 680 uF, 20%, 6.3 VDC, SMD, Molded, Low ESR, Surge Robust, 100 mOhms, 7343, 4.4 mm, 1.3 mm



General Information

Series	B450
Dielectric	MnO2 Tantalum
Style	SMD Chip
Description	SMD, Molded, Low ESR, Surge Robust
Features	Low ESR, Surge Robust
RoHS	Yes
Termination	Tin
AEC-Q200	No

Specifications

Capacitance	680 uF
Tolerance	20%
Voltage DC	6.3 VDC (85C), 4.22 VDC (125C)
Temperature Range	-55/+125°C
Rated Temperature	85°C
Dissipation Factor	15%
Failure Rate	N/A
ESR	0.1 Ohms (100kHz)
Ripple Current	1280 mAmps (25C), 1152 mAmps (85C), 512 mAmps (125C)
Leakage Current	42.8 uA

Dimensions

L	7.3mm +/-0.3mm
W	4.3mm +/-0.3mm
H	4.1mm +/-0.3mm
S	1.3mm +/-0.3mm
F	2.4mm +/-0.1mm

Packaging Specifications

Packaging	T&R, 330mm
Packaging Quantity	1800

Statements of suitability for certain applications are based on our knowledge of typical operating conditions for such applications, but are not intended to constitute - and we specifically disclaim - any warranty concerning suitability for a specific customer application or use. This Information is intended for use only by customers who have the requisite experience and capability to determine the correct products for their application. Any technical advice inferred from this Information or otherwise provided by us with reference to the use of our products is given gratis, and we assume no obligation or liability for the advice given or results obtained.