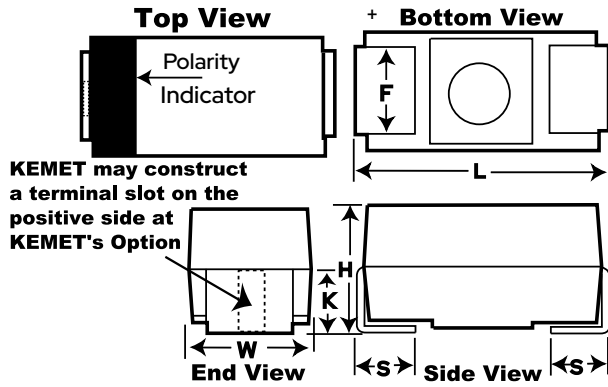


Obsolete

B450, Tantalum, MnO2 Tantalum, Commercial Grade, 100 uF, 10%, 6.3 VDC, SMD, Molded, Low Profile, Low ESR, Surge Robust, 500 mOhms, 3528, 1.5mm



General Information

Series	B450
Dielectric	MnO2 Tantalum
Style	SMD Chip
Description	SMD, Molded, Low Profile, Low ESR, Surge Robust
Features	Low Profile, Low ESR, Surge Robust
RoHS	Yes
Termination	Tin
AEC-Q200	No

Dimensions

Footprint	3528
L	3.5mm +/-0.2mm
W	2.8mm +/-0.2mm
H	1.5mm MAX
S	0.8mm +/-0.3mm
F	2.2mm +/-0.1mm

Packaging Specifications

Packaging	T&R, 178mm
Packaging Quantity	2500

Specifications

Capacitance	100 uF
Capacitance Tolerance	10%
Voltage DC	6.3 VDC (85C), 4.22 VDC (125C)
Temperature Range	-55/+125°C
Rated Temperature	85°C
Dissipation Factor	20%
Failure Rate	N/A
ESR	0.5 Ohms (100kHz)
Ripple Current	390 mAmps (25C), 351 mAmps (85C), 156 mAmps (125C)
Leakage Current	6.3 uA

Statements of suitability for certain applications are based on our knowledge of typical operating conditions for such applications, but are not intended to constitute - and we specifically disclaim - any warranty concerning suitability for a specific customer application or use. This Information is intended for use only by customers who have the requisite experience and capability to determine the correct products for their application. Any technical advice inferred from this Information or otherwise provided by us with reference to the use of our products is given gratis, and we assume no obligation or liability for the advice given or results obtained.