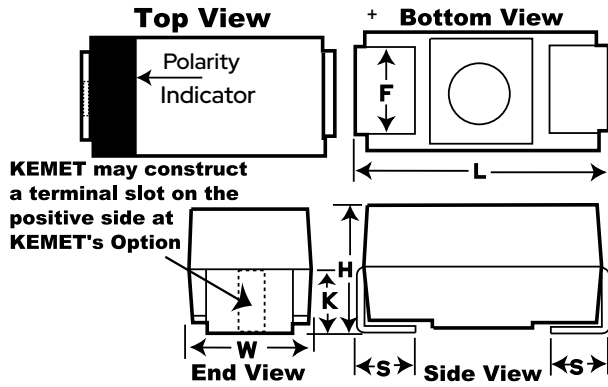


B45196L4476K409

Aliases (T495D476K020ZTA800)

Obsolete

B45196L, Tantalum, MnO2 Tantalum, 47 uF, 10%, 20 VDC, SMD, Molded, Automotive, 800 mOhms, 7343, 3.1 mm, 1.3 mm



General Information

| | |
|----------------|-------------------------|
| Series | B45196L |
| Dielectric | MnO2 Tantalum |
| Style | SMD Chip |
| Description | SMD, Molded, Automotive |
| Features | Automotive |
| RoHS | Yes |
| Termination | Tin |
| Qualifications | AEC-Q200 |
| AEC-Q200 | Yes |

Specifications

| | |
|--------------------|---------------------------------------------------------|
| Capacitance | 47 uF |
| Tolerance | 10% |
| Voltage DC | 20 VDC (85C), 13.4 VDC (125C) |
| Temperature Range | -55/+125°C |
| Rated Temperature | 85°C |
| Dissipation Factor | 6% |
| Failure Rate | N/A |
| ESR | 0.8 Ohms (100kHz) |
| Ripple Current | 129.1 mAmps (25C), 116.2 mAmps (85C), 51.6 mAmps (125C) |
| Leakage Current | 9.4 uA |

Dimensions

| | |
|---|----------------|
| L | 7.3mm +/-0.3mm |
| W | 4.3mm +/-0.3mm |
| H | 2.8mm +/-0.3mm |
| S | 1.3mm +/-0.3mm |
| F | 2.4mm +/-0.1mm |

Packaging Specifications

| | |
|--------------------|------------|
| Packaging | T&R, 178mm |
| Packaging Quantity | 750 |

Statements of suitability for certain applications are based on our knowledge of typical operating conditions for such applications, but are not intended to constitute - and we specifically disclaim - any warranty concerning suitability for a specific customer application or use. This Information is intended for use only by customers who have the requisite experience and capability to determine the correct products for their application. Any technical advice inferred from this Information or otherwise provided by us with reference to the use of our products is given gratis, and we assume no obligation or liability for the advice given or results obtained.