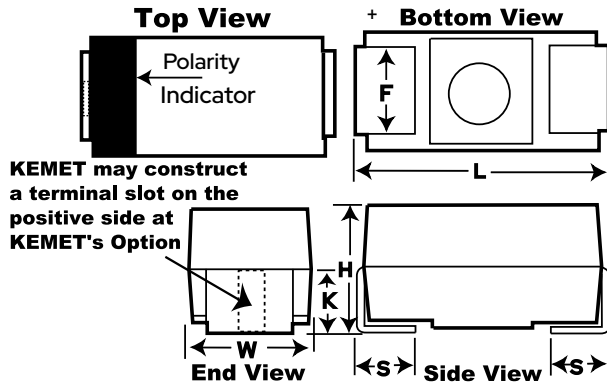


B45198L3225M109

Aliases (B45198L3225M109)

Obsolete

B45198L, Tantalum, MnO2 Tantalum, Commercial Grade, 2.2 uF, 20%, 16 VDC, SMD, Molded, Automotive, 6.5 Ohms, 3216, 1.8mm



General Information

| | |
|----------------|-------------------------|
| Series | B45198L |
| Dielectric | MnO2 Tantalum |
| Style | SMD Chip |
| Description | SMD, Molded, Automotive |
| Features | Automotive |
| RoHS | Yes |
| Termination | Gold |
| Qualifications | AEC-Q200 |
| AEC-Q200 | Yes |

Dimensions

| | |
|-----------|----------------|
| Footprint | 3216 |
| L | 3.2mm +/-0.2mm |
| W | 1.6mm +/-0.2mm |
| H | 1.6mm +/-0.2mm |
| S | 0.8mm +/-0.3mm |
| F | 1.2mm +/-0.1mm |

Packaging Specifications

| | |
|--------------------|------------|
| Packaging | T&R, 178mm |
| Packaging Quantity | 2000 |

Specifications

| | |
|-----------------------|---|
| Capacitance | 2.2 uF |
| Capacitance Tolerance | 20% |
| Voltage DC | 16 VDC (85C), 10.72 VDC (125C) |
| Temperature Range | -55/+125°C |
| Rated Temperature | 85°C |
| Dissipation Factor | 6% |
| Failure Rate | N/A |
| ESR | 6.5 Ohms (100kHz) |
| Ripple Current | 91.3 mAmps (25C), 82.2 mAmps (85C), 36.5 mAmps (125C) |
| Leakage Current | 0.5 uA |

Statements of suitability for certain applications are based on our knowledge of typical operating conditions for such applications, but are not intended to constitute - and we specifically disclaim - any warranty concerning suitability for a specific customer application or use. This Information is intended for use only by customers who have the requisite experience and capability to determine the correct products for their application. Any technical advice inferred from this Information or otherwise provided by us with reference to the use of our products is given gratis, and we assume no obligation or liability for the advice given or results obtained.