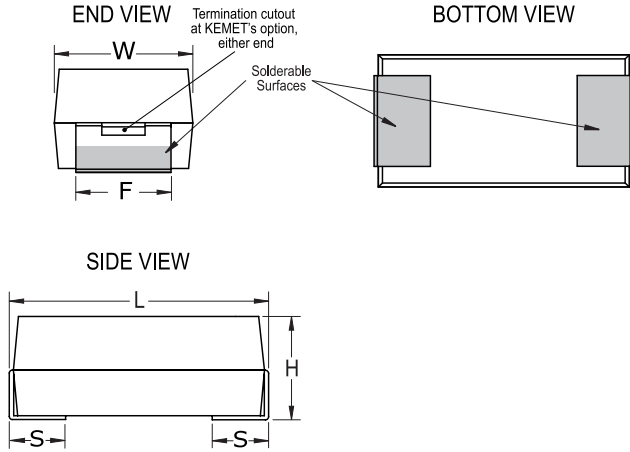


## T493B336K010BT6110

T493 HRA, Tantalum, MnO<sub>2</sub> Tantalum, HRA, 33 uF, 10%, 10 VDC, SMD, MnO<sub>2</sub>, Molded, DLA Drawing, B (0.1%/1000 Hrs), 3.5 Ohms, 3528, 2.1 mm, 0.8 mm



Click [here](#) for the 3D model.

### General Information

Series	T493 HRA
Dielectric	MnO <sub>2</sub> Tantalum
Style	SMD Chip
Description	SMD, MnO <sub>2</sub> , Molded, DLA Drawing
RoHS	Yes
Termination	Tin
AEC-Q200	No
Typical Component Weight	102.3 mg

### Dimensions

L	3.5mm +/-0.2mm
W	2.8mm +/-0.2mm
H	1.9mm +/-0.2mm
S	0.8mm +/-0.3mm
F	2.2mm +/-0.1mm

### Packaging Specifications

Packaging	T&R, 178mm
Packaging Quantity	2000

### Specifications

Capacitance	33 uF
Tolerance	10%
Voltage DC	10 VDC (85C), 6.7 VDC (125C)
Temperature Range	-55/+125°C
Rated Temperature	85°C
Dissipation Factor	6% 120Hz 25C
Failure Rate	B (0.1%/1000 Hrs)
ESR	3.5 Ohms (100kHz 25C)
Ripple Current	156 mA (rms, 100kHz 25C)
Leakage Current	3.3 uA (5min 25°C)
Testing and Reliability	Standard Testing Only

Statements of suitability for certain applications are based on our knowledge of typical operating conditions for such applications, but are not intended to constitute - and we specifically disclaim - any warranty concerning suitability for a specific customer application or use. This Information is intended for use only by customers who have the requisite experience and capability to determine the correct products for their application. Any technical advice inferred from this Information or otherwise provided by us with reference to the use of our products is given gratis, and we assume no obligation or liability for the advice given or results obtained.