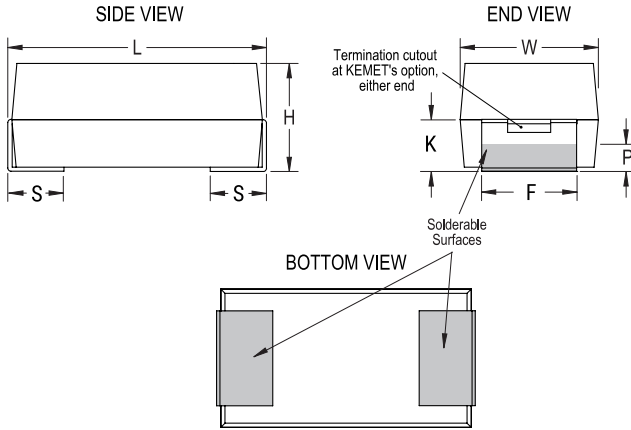


CWR29FC157KCXC

Aliases (T429X157K010CC4252)

T429 CWR29, Tantalum, MnO2 Tantalum, Military/High Reliability, 150 uF, 10%, 10 VDC, SMD, MnO2, Molded, Military Equivalent, Low ESR, C (0.01%/1000 Hrs), 65 mOhms, 6954, 3.12mm



Click [here](#) for the 3D model.

General Information

| | |
|--------------------------|------------------------------------------------------------------------------------------------------------------------------------|
| Series | T429 CWR29 |
| Dielectric | MnO2 Tantalum |
| Style | SMD Chip |
| Description | SMD, MnO2, Molded, Military Equivalent, Low ESR |
| RoHS | No |
| Prop 65 | WARNING: Cancer and reproductive harm - https://www.p65warnings.ca.gov/ |
| SCIP Number | 652b281f-d242-4453-bc44-0655d646cec3 |
| Termination | Hot Solder Dipped |
| Qualifications | MIL-PRF-55365/11, CWR29 Style |
| AEC-Q200 | No |
| Typical Component Weight | 590.44 mg |
| Notes | Note: When Option C Is Selected For Lead Material, Add An Additional 0.38mm To The Tolerances For "L", "W", "H", "K", "F" And "S". |
| MSL | 1 |

Dimensions

| | |
|-----------|----------------------|
| Footprint | 6954 |
| L | 6.93mm +/-0.38mm |
| W | 5.41mm +/-0.38mm |
| H | 2.74mm +/-0.38mm |
| S | 1.19mm +0.25/-0.13mm |
| F | 3.05mm +/-0.13mm |
| K | 1.22mm MIN |
| P | 0.61mm MIN |

Packaging Specifications

| | |
|--------------------|------------|
| Packaging | T&R, 178mm |
| Packaging Quantity | 500 |

Specifications

| | |
|-------------------------|-----------------------------------------------------------|
| Capacitance | 150 uF |
| Capacitance Tolerance | 10% |
| Voltage DC | 10 VDC (85C), 6.7 VDC (125C) |
| Temperature Range | -55/+125°C |
| Rated Temperature | 85°C |
| Dissipation Factor | 10% 120Hz 25C |
| Failure Rate | C (0.01%/1000 Hrs) |
| ESR | 0.065 Ohms (100kHz 25C) |
| Ripple Current | 1593 mA (rms, 100kHz 25C) |
| Leakage Current | 15 uA (5min 25°C) |
| Testing and Reliability | Surge Testing (10 Cycles At -55C And +85C Before Weibull) |

Statements of suitability for certain applications are based on our knowledge of typical operating conditions for such applications, but are not intended to constitute - and we specifically disclaim - any warranty concerning suitability for a specific customer application or use. This Information is intended for use only by customers who have the requisite experience and capability to determine the correct products for their application. Any technical advice inferred from this Information or otherwise provided by us with reference to the use of our products is given gratis, and we assume no obligation or liability for the advice given or results obtained.