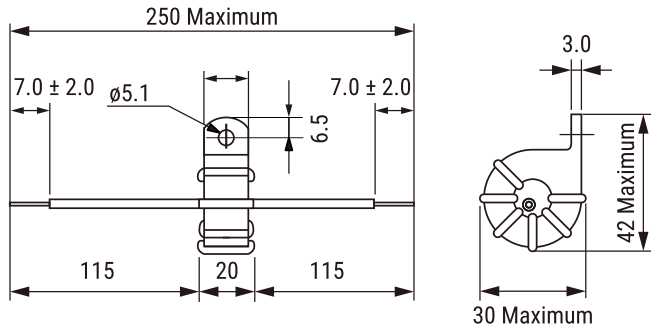


SNG-19DB-014

Aliases (UALSNG19DB0140)

Obsolete

Ground Wires, KEMET, SNG, Through-Hole Toroidal, Ground Wire, 14 uH, -30/+50%



Click [here](#) for the 3D model.

General Information

Series	SNG
Style	Through-Hole Toroidal
RoHS	Yes
Core	Mn-Zn Ferrite or Ni-Zn Ferrite

Dimensions

D	30mm MAX
L	20mm NOM
H	42mm MAX
LL	115mm NOM
L2	250mm MAX
Wire Size	UL1015 AWG16

Packaging Specifications

Packaging	Bulk
Packaging Quantity	250
Typical Component Weight	20 g

Specifications

Voltage AC	250 VAC
Voltage DC	250 VDC
Inductance	14 uH
Inductance Tolerance	-30/+50%
Temperature Range	-40/+105°C
DC Resistance	10 mOhms

Statements of suitability for certain applications are based on our knowledge of typical operating conditions for such applications, but are not intended to constitute - and we specifically disclaim - any warranty concerning suitability for a specific customer application or use. This Information is intended for use only by customers who have the requisite experience and capability to determine the correct products for their application. Any technical advice inferred from this Information or otherwise provided by us with reference to the use of our products is given gratis, and we assume no obligation or liability for the advice given or results obtained.