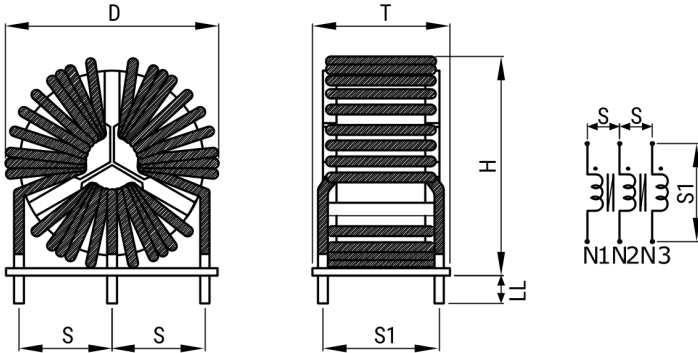


SC-20-SE10J

Aliases (UALSC20SE10J00)

KEMET, SC Three Phase, AC Line Filters, Common Mode, 0.94 mH



Click [here](#) for the 3D model.

Dimensions

D	49mm MAX
T	30mm MAX
H	51mm MAX
LL	5mm +/-1mm
S	20mm NOM
S1	25mm NOM
Wire Size	1.8mm

Packaging Specifications

Packaging	Tray
Packaging Quantity	60
Typical Component Weight	113 g

General Information

Series	SC Three Phase
Style	Through-Hole
Features	High Impedance
RoHS	Yes
Notes	Lead Spacing (S/S1) Are For Reference Only.
Miscellaneous	Temperature Rise Maximum: 90 K.
Core	Mn-Zn Ferrite

Specifications

Voltage AC	250 VAC
Voltage DC	250 VDC
Inductance	0.94 mH (10 kHz)
Current	20 A
Temperature Range	-25/+120°C
DC Resistance	7 mOhms