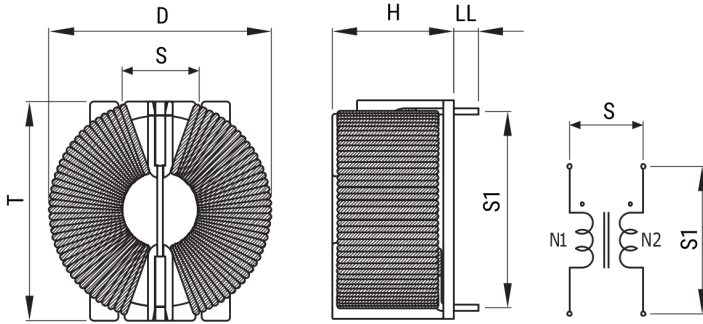


SC-05-700JH

Aliases (UALSC05700JH00)

KEMET, SC-JH, AC Line Filters, Common Mode, 7 mH



Click [here](#) for the 3D model.

Dimensions

D	34mm MAX
T	33mm MAX
H	18mm MAX
LL	3.5mm +/-1mm
S	11mm NOM
S1	28mm NOM
Wire Size	0.9mm

Packaging Specifications

Packaging	Tray
Packaging Quantity	180
Typical Component Weight	29.7 g

General Information

Series	SC-JH
Style	Through-Hole
RoHS	Yes
Notes	Lead Spacing (S/S1) Are For Reference Only.
Miscellaneous	Temperature Rise Maximum: 75 K.
Core	Mn-Zn Ferrite

Specifications

Voltage AC	250 VAC
Inductance	7 mH (10 kHz)
Current	5 A
Temperature Range	-40/+120°C
DC Resistance	55 mOhms