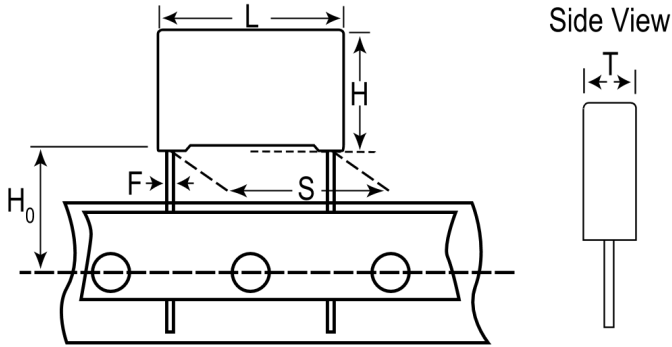


## R74NI2270DQ00J

Aliases (74NI2270DQ00J)

Not for New Design

R74, Film, Metallized Polypropylene, Automotive Grade, 0.027 uF, 5%, 1300 VDC, 85°C, 15mm



Click [here](#) for the 3D model.

### Dimensions

L	18mm +/-0.5mm
H	14.5mm +0.1/-0.5mm
T	8.5mm +0.2/-0.5mm
S	15mm +0.6/-0.1mm
H0	18.5mm +/-0.5mm
F	0.8mm +/-0.05mm

### Packaging Specifications

Packaging	Ammo, 360x340x59mm, Box
Packaging Quantity	440

### General Information

Series	R74
Dielectric	Metallized Polypropylene
Style	Radial
Features	Automotive Grade, Pulse
RoHS	Yes
Lead	Wire Leads
Qualifications	AEC-Q200
AEC-Q200	Yes
Typical Component Weight	2.7 g
Miscellaneous	Above 85C DC And AC Voltage Derating Is 1.25%/C.
Notes	Series Replaced by R75.

### Specifications

Capacitance	0.027 uF
Capacitance Tolerance	5%
Voltage DC	1300 VDC
Voltage AC	400 VAC
Temperature Range	-55/+105°C
Rated Temperature	85°C
Dissipation Factor	0.01% 1kHz, 0.02% 10kHz, 0.08% 100kHz
Insulation Resistance	100 GOhms
Max dV/dt	2000 V/us
ESR	23.6 mOhms (100kHz)
Ripple Current	4.2 Amps (100kHz 85C), 54 Amps (Peak)
Inductance	10 nH