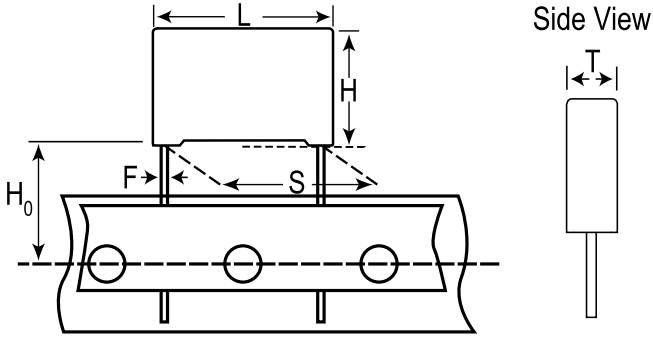


R66ID3100DQ7AJ

Aliases (66ID3100DQ7AJ)

R66, Film, Metallized Polyester Stacked, Automotive Grade, 0.1 uF, 5%, 250 VDC, 85°C, 7.5 mm



Click [here](#) for the 3D model.

General Information

Series	R66
Dielectric	Metallized Polyester Stacked
Style	Radial
Features	Automotive Grade, DC Multipurpose Applications
RoHS	Yes
Termination	Tinned Wire
Lead	Wire Leads
Qualifications	AEC-Q200
AEC-Q200	Yes
Typical Component Weight	0.533 g
Miscellaneous	Above 85C DC And AC Voltage Derating Is 1.25%/C.

Dimensions

L	10mm +0.2mm
H	9mm +0.1mm
T	4mm +0.1mm
S	7.5mm +0.6/-0.1mm
H0	18.5mm +/-0.5mm
F	0.6mm +/-0.05mm

Packaging Specifications

Packaging	Ammo, 360x340x59mm, Box
Packaging Quantity	2100

Specifications

Capacitance	0.1 uF
Tolerance	5%
Voltage DC	250 VDC
Voltage AC	160 VAC
Temperature Range	-55/+105°C
Rated Temperature	85°C
Dissipation Factor	1% 1kHz, 1.5% 10kHz
Insulation Resistance	30 GOhms
Max dV/dt	200 V/us
Inductance	8 nH

Statements of suitability for certain applications are based on our knowledge of typical operating conditions for such applications, but are not intended to constitute - and we specifically disclaim - any warranty concerning suitability for a specific customer application or use. This Information is intended for use only by customers who have the requisite experience and capability to determine the correct products for their application. Any technical advice inferred from this Information or otherwise provided by us with reference to the use of our products is given gratis, and we assume no obligation or liability for the advice given or results obtained.