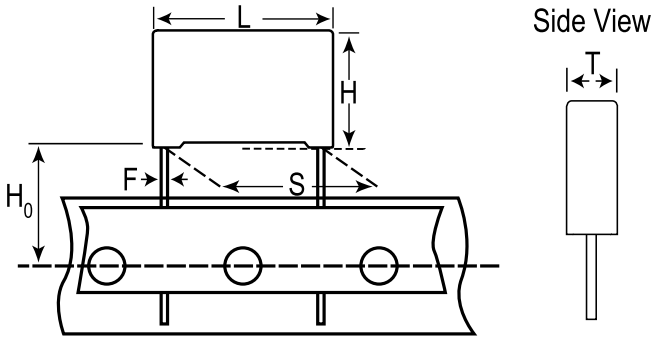


## R60QF1100CK01K

Aliases (60QF1100CK01K)

R60, Film, Metallized Polyester, Automotive Grade, 1,000 pF, 10%, 1,000 VDC, 85°C, 10 mm



Click [here](#) for the 3D model.

### General Information

|                |   |
|----------------|---|
| Series         | R60   |
| Dielectric     | Metallized Polyester  |
| Style          | Radial  |
| Features       | Automotive Grade, DC Multipurpose Applications  |
| RoHS           | Yes   |
| Termination    | Tinned Wire   |
| Lead           | Wire Leads  |
| Qualifications | AEC-Q200  |
| AEC-Q200       | Yes   |
| Miscellaneous  | Upper Operating Temperature Of 125C Is Allowed For A Maximum Operating Time Of 1,000 Hours. Above 85C, DC And AC Voltage Derating Is 1.25%/C. |

### Dimensions

|    |                  |
|----|------------------|
| L  | 13mm +0.2/-0.5mm |
| H  | 9mm +0.1/-0.5mm  |
| T  | 4mm +0.2/-0.5mm  |
| S  | 10mm +/-0.4mm    |
| H0 | 18.5mm +/-0.5mm  |
| F  | 0.6mm +/-0.05mm  |

### Packaging Specifications

|                    |            |
|--------------------|------------|
| Packaging          | T&R, 500mm |
| Packaging Quantity | 1500       |

### Specifications

|                       |                     |
|-----------------------|---------------------|
| Capacitance           | 1,000 pF            |
| Tolerance             | 10%                 |
| Voltage DC            | 1000 VDC            |
| Voltage AC            | 250 VAC             |
| Temperature Range     | -55/+105°C          |
| Rated Temperature     | 85°C                |
| Dissipation Factor    | 1% 1kHz, 1.5% 10kHz |
| Insulation Resistance | 30 GOhms            |
| Max dV/dt             | 60 V/us             |
| Inductance            | 9 nH                |

Statements of suitability for certain applications are based on our knowledge of typical operating conditions for such applications, but are not intended to constitute - and we specifically disclaim - any warranty concerning suitability for a specific customer application or use. This Information is intended for use only by customers who have the requisite experience and capability to determine the correct products for their application. Any technical advice inferred from this Information or otherwise provided by us with reference to the use of our products is given gratis, and we assume no obligation or liability for the advice given or results obtained.