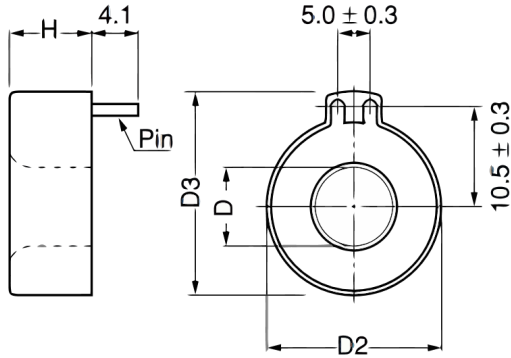


MR-1-P5

Aliases (USEZ1P50000000)

KEMET, MR, Current, Round - Toroidal, Zero Phase, High Sensitivity, Compact



Click [here](#) for the 3D model.

Dimensions

D	7.4mm MIN
H	8.5mm MAX
D2	19.3mm MAX
D3	21.8mm MAX
D4	8mm NOM

Packaging Specifications

Packaging	Tray
Packaging Quantity	1050
Typical Component Weight	4.3 g

General Information

Series	MR
Type	Current
Style	Round - Toroidal
Description	Zero-Phase Current Transformers
Features	High Sensitivity, Compact
Lead	2 Pin
RoHS	Yes
REACH	Yes
Notes	Measurement Conditions: f=60Hz, R=300 Ohms, I _o =22.5 mAmps

Specifications

Temperature Range	-20/+80°C
Voltage DC	8 mV MIN (Output)
Current	30 Amps
ESR	25 Ohms
Miscellaneous	Overinput characteristics (After DC5A input) = 10% MAX.