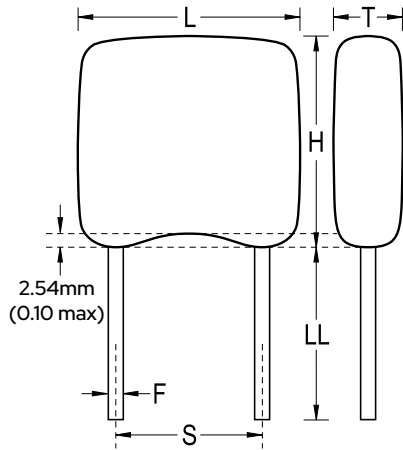


HT55BB562KN

Aliases (HT55BB562K, HT55BW562KN)

Obsolete

HP LDD Indust X7R HT200C, Ceramic, 5600 pF, 10%, 50 VDC, X7R, Commercial, High Temperature, 5.08mm



Click [here](#) for the 3D model.

General Information	
Series	HP LDD Indust X7R HT200C
Style	Radial
Description	Commercial, High Temperature
Features	LDD High Temperature 200C
RoHS	No
Prop 65	WARNING: Cancer and reproductive harm - https://www.p65warnings.ca.gov/
Termination	Nickel
Lead	Formed
Failure Rate	N/A
AEC-Q200	No

Specifications	
Capacitance	5600 pF
Capacitance Tolerance	10%
Voltage DC	50 VDC
Dielectric Withstanding Voltage	125 VDC
Temperature Range	-55/+200°C
Temperature Coefficient	X7R
Dissipation Factor	2.5%
Insulation Resistance	100 GOhms

Dimensions	
L	5.08mm MAX
H	5.08mm MAX
T	2.54mm MAX
S	5.08mm +/-0.762mm
LL	3.175mm MIN
F	0.635mm +0.102/-0.051mm
G	1.65mm MAX

Packaging Specifications	
Packaging	Waffle, Tray
Packaging Quantity	1

Statements of suitability for certain applications are based on our knowledge of typical operating conditions for such applications, but are not intended to constitute - and we specifically disclaim - any warranty concerning suitability for a specific customer application or use. This Information is intended for use only by customers who have the requisite experience and capability to determine the correct products for their application. Any technical advice inferred from this Information or otherwise provided by us with reference to the use of our products is given gratis, and we assume no obligation or liability for the advice given or results obtained.