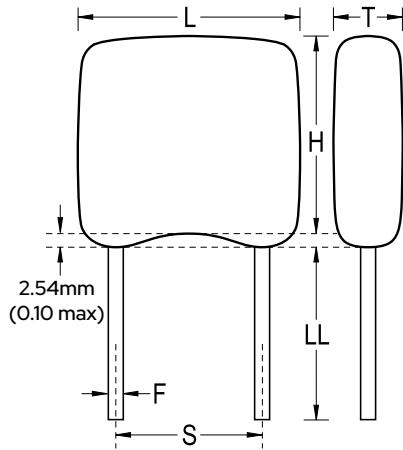


HT06CB104KN

Aliases (HT06CB104K, HT06CW104KN)

Obsolete

HP LDD Indust X7R HT200C, Ceramic, 0.1 uF, 10%, 100 VDC, X7R, Commercial, High Temperature, 5.08 mm



Click [here](#) for the 3D model.

General Information

Series	HP LDD Indust X7R HT200C
Style	Radial
Description	Commercial, High Temperature
Features	LDD High Temperature 200C
RoHS	No
Prop 65	WARNING: Cancer and reproductive harm - https://www.p65warnings.ca.gov/
Termination	Nickel
Failure Rate	N/A
AEC-Q200	No

Dimensions

L	7.62mm MAX
H	7.62mm MAX
T	3.81mm MAX
S	5.08mm +/-0.762mm
LL	3.175mm MIN
F	0.635mm +0.102/-0.051mm

Packaging Specifications

Packaging	Waffle, Tray
Packaging Quantity	1

Specifications

Capacitance	0.1 uF
Capacitance Tolerance	10%
Voltage DC	100 VDC
Dielectric Withstanding Voltage	250 VDC
Temperature Range	-55/+200°C
Temperature Coefficient	X7R
Dissipation Factor	2.5%
Insulation Resistance	10 GOhms

Statements of suitability for certain applications are based on our knowledge of typical operating conditions for such applications, but are not intended to constitute - and we specifically disclaim - any warranty concerning suitability for a specific customer application or use. This Information is intended for use only by customers who have the requisite experience and capability to determine the correct products for their application. Any technical advice inferred from this Information or otherwise provided by us with reference to the use of our products is given gratis, and we assume no obligation or liability for the advice given or results obtained.