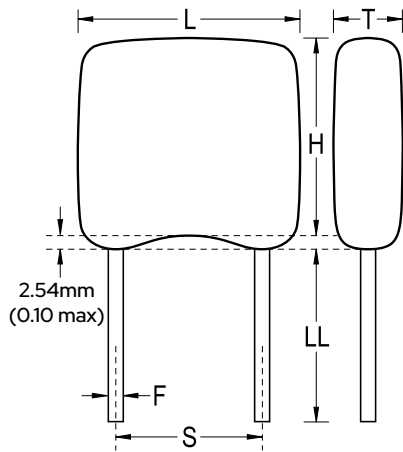


## HTO6BB333KN

Aliases (HTO6BB333K, HTO6BW333KN)

Obsolete

HP LDD Indust X7R HT200C, Ceramic, 0.033 uF, 10%, 50 VDC, X7R, Commercial, High Temperature, 5.08mm



Click [here](#) for the 3D model.

### General Information

Series	HP LDD Indust X7R HT200C
Style	Radial
Description	Commercial, High Temperature
Features	LDD High Temperature 200C
RoHS	No
Prop 65	<b>WARNING:</b> Cancer and reproductive harm - <a href="https://www.p65warnings.ca.gov/">https://www.p65warnings.ca.gov/</a>
Termination	Nickel
Lead	Wire Leads
Failure Rate	N/A
AEC-Q200	No

### Dimensions

L	7.62mm MAX
H	7.62mm MAX
T	3.81mm MAX
S	5.08mm +/-0.762mm
LL	3.175mm MIN
F	0.635mm +0.102/-0.051mm

### Packaging Specifications

Packaging	Waffle, Tray
Packaging Quantity	1

### Specifications

Capacitance	0.033 uF
Capacitance Tolerance	10%
Voltage DC	50 VDC
Dielectric Withstanding Voltage	125 VDC
Temperature Range	-55/+200°C
Temperature Coefficient	X7R
Dissipation Factor	2.5%
Insulation Resistance	30.3 GOhms

Statements of suitability for certain applications are based on our knowledge of typical operating conditions for such applications, but are not intended to constitute - and we specifically disclaim - any warranty concerning suitability for a specific customer application or use. This Information is intended for use only by customers who have the requisite experience and capability to determine the correct products for their application. Any technical advice inferred from this Information or otherwise provided by us with reference to the use of our products is given gratis, and we assume no obligation or liability for the advice given or results obtained.