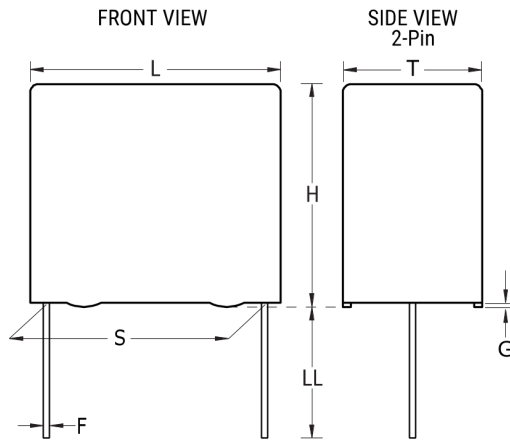


PHE450RB5560JR06

Aliases (F450BV563J1K6C)

Not for New Design

PHE450/F450, Film, Double Metallized Polypropylene, General Purpose, 0.056 uF, 5%, 1600 VDC, 85°C, 15mm



Click [here](#) for the 3D model.

General Information	
Series	PHE450/F450
Dielectric	Double Metallized Polypropylene
Style	Radial
Features	Pulse
RoHS	Yes
Termination	Tinned Wire
Lead	Wire Leads
AEC-Q200	No
Typical Component Weight	3.61 g
Miscellaneous	The Rated Voltage Decreases 1.3%/C Between +85C And +105C. Rthha= 60 C/W (85C), 0.2 m/s.
Notes	Series Replaced by R76.

Specifications	
Capacitance	0.056 uF
Capacitance Tolerance	5%
Voltage DC	1600 VDC (85C), 1184 VDC (105C)
Voltage AC	650 VAC
Temperature Range	-55/+105°C
Rated Temperature	85°C
Dissipation Factor	0.03% 1kHz, 0.04% 10kHz, 0.15% 100kHz
Insulation Resistance	100 GOhms
Max dV/dt	2500 V/us
Inductance	6 nH

Dimensions

L	18mm -0.5mm
H	17.5mm -0.5mm
T	9.5mm -0.5mm
S	15mm +0.4/-0.4mm
LL	6mm -1mm
F	0.8mm +/-0.05mm
G	0.5mm NOM

Packaging Specifications

Packaging	Bulk, Bag
Packaging Quantity	500

Statements of suitability for certain applications are based on our knowledge of typical operating conditions for such applications, but are not intended to constitute - and we specifically disclaim - any warranty concerning suitability for a specific customer application or use. This information is intended for use only by customers who have the requisite experience and capability to determine the correct products for their application. Any technical advice inferred from this information or otherwise provided by us with reference to the use of our products is given gratis, and we assume no obligation or liability for the advice given or results obtained.