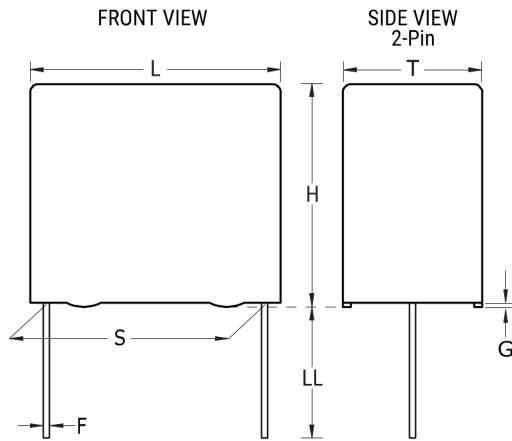


## PHE450SB4150JR06

Aliases (F450BD152J2K0C)

Not for New Design

PHE450/F450, Film, Double Metallized Polypropylene, General Purpose, 1500 pF, 5%, 2000 VDC, 85°C, 15mm



Click [here](#) for the 3D model.

### Dimensions

L	18mm -0.5mm
H	10.5mm -0.5mm
T	5.5mm -0.5mm
S	15mm +0.4/-0.4mm
LL	6mm -1mm
F	0.8mm +/-0.05mm
G	0.5mm NOM

### Packaging Specifications

Packaging	Bulk, Bag
Packaging Quantity	1000

### General Information

Series	PHE450/F450
Dielectric	Double Metallized Polypropylene
Style	Radial
Features	Pulse
RoHS	Yes
Lead	Wire Leads
AEC-Q200	No
Typical Component Weight	1.35 g
Miscellaneous	The Rated Voltage Decreases 1.3%/C Between +85C And +105C. Rthja= 98 C/W (85C), 0.2 m/s.
Notes	Series Replaced by R76.

### Specifications

Capacitance	1500 pF
Capacitance Tolerance	5%
Voltage DC	2000 VDC (85C), 1480 VDC (105C)
Voltage AC	700 VAC
Temperature Range	-55/+105°C
Rated Temperature	85°C
Dissipation Factor	0.03% 1kHz, 0.04% 10kHz, 0.15% 100kHz
Insulation Resistance	100 GOhms
Max dV/dt	2500 V/us
Inductance	6 nH