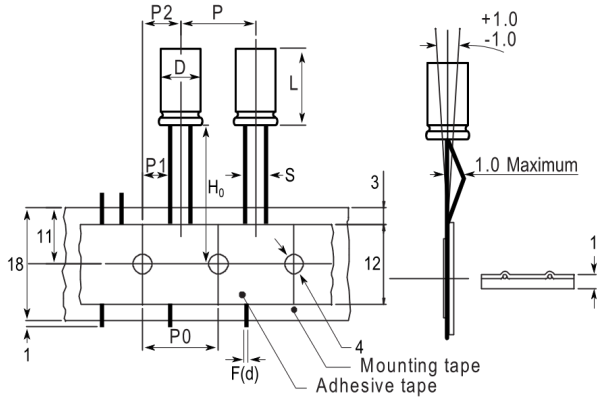


Straight Leads Diameter > 8  
Lead and packaging code EA and KA



Note: '( )' correspond to the letters used in the product bulletin

Click [here](#) for the 3D model.

#### Dimensions

D	16mm +/-0.5mm
L	32mm +2mm
S	7.5mm +/-0.5mm
LL Negative	15mm MIN
LL Positive	20mm MIN
H0	18.5mm +/-0.75mm
F	0.8mm NOM

#### Packaging Specifications

Packaging	T&R
-----------	-----

#### General Information

Series	ESY
Dielectric	Aluminum Electrolytic
Style	Radial
Description	LowZ Single Ended Aluminum Electrolytic
Features	Low Z
RoHS	Yes
Lead	Wire Leads
AEC-Q200	No

#### Specifications

Capacitance	1000 uF
Capacitance Tolerance	20%
Voltage DC	50 VDC, 63 VDC (Surge)
Temperature Range	-40/+105°C
Rated Temperature	105°C
Life	5000 Hrs
Dissipation Factor	10% 120Hz 20C
ESR	0.021 Ohms (100kHz 20C)
Ripple Current	3350 mAmps (100kHz 105C)
Leakage Current	500 uA (2min 20°C)
Impedance Ratio at -25C	2
Impedance Ratio at -40C	3