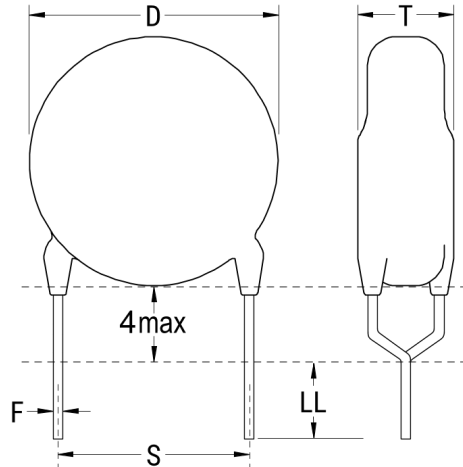


C921U102KYYDBAWL35

Not for New Design

C900AC SFTY X1-400 Y2-250, Ceramic, 1000 pF, 10%, 400 VAC (X1), 250 VAC (Y2), Y5P, 10mm



Click [here](#) for the 3D model.

Dimensions	
D	9mm MAX
T	5mm MAX
S	10mm +/-1mm
LL	3.5mm +/-1mm
F	0.55mm +/-0.1mm

Packaging Specifications	
Packaging	Bulk, Bag
Packaging Quantity	500

General Information	
Series	C900AC SFTY X1-400 Y2-250
Style	Radial Disc
RoHS	Yes
Termination	Tin
Failure Rate	N/A
Qualifications	VDE, ENEC, UL, cUL
AEC-Q200	No
Halogen Free	Yes
Typical Component Weight	700 mg

Specifications	
Capacitance	1000 pF
Capacitance Tolerance	10%
Voltage AC	400 VAC (X1), 250 VAC (Y2)
Dielectric Withstanding Voltage	2600 VDC
Temperature Range	-40/+125°C
Temperature Coefficient	Y5P
Dissipation Factor	2.5%
Insulation Resistance	10 GOhms
Safety Class	X1/Y2

Statements of suitability for certain applications are based on our knowledge of typical operating conditions for such applications, but are not intended to constitute - and we specifically disclaim - any warranty concerning suitability for a specific customer application or use. This information is intended for use only by customers who have the requisite experience and capability to determine the correct products for their application. Any technical advice inferred from this information or otherwise provided by us with reference to the use of our products is given gratis, and we assume no obligation or liability for the advice given or results obtained.