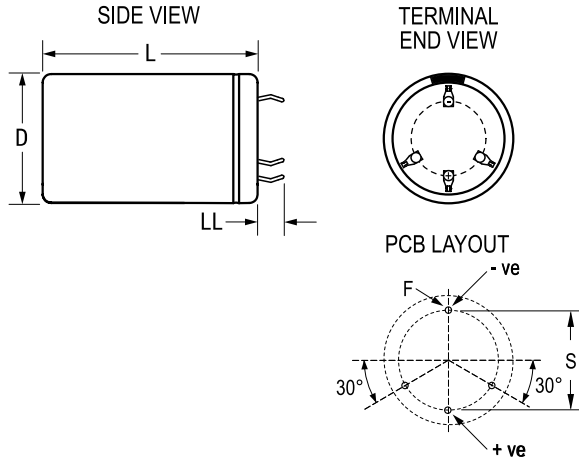


ALC10C471EF450

ALC10, Aluminum, Aluminum Electrolytic, 470 uF, 20%, 450 VDC, -40/+85°C, 22.5 mm



Click [here](#) for the 3D model.

General Information

Series	ALC10
Dielectric	Aluminum Electrolytic
Description	Snap-In, Aluminum Electrolytic
RoHS	Yes
Lead	4 Pin
AEC-Q200	No
Typical Component Weight	82 g
Notes	Dimensions D And L Include Sleevings.
Shelf Life	156 Weeks

Dimensions

D	40mm +1mm
L	50mm +/-2mm
S	22.5mm +/-0.1mm
LL	6.3mm +/-1mm
F	2mm +/-0.1mm

Packaging Specifications

Sleevings	Yes
Packaging	Tray

Specifications

Capacitance	470 uF
Tolerance	20%
Voltage DC	450 VDC, 495 VDC (Surge)
Temperature Range	-40/+85°C
Rated Temperature	85°C
Life	18000 Hrs (Rated Voltage And Ripple Current At 85C), 29000 Hrs (Rated Voltage At 85C)
ESR	243 mOhms (100Hz 20C), 147 mOhms (10kHz 20C)
Ripple Current	3.08 Amps (100Hz 85C), 6.25 Amps (10kHz 85C)
Leakage Current	1269 uA (5min 20°C)

Statements of suitability for certain applications are based on our knowledge of typical operating conditions for such applications, but are not intended to constitute - and we specifically disclaim - any warranty concerning suitability for a specific customer application or use. This Information is intended for use only by customers who have the requisite experience and capability to determine the correct products for their application. Any technical advice inferred from this Information or otherwise provided by us with reference to the use of our products is given gratis, and we assume no obligation or liability for the advice given or results obtained.