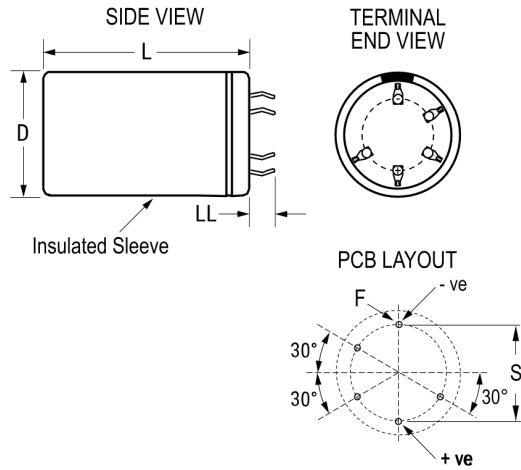


## ALC10G222KP450

Aliases (A521KW222M450G)

ALC10, Aluminum Electrolytic, 2,200 uF, 20%, 450 VDC, -40/+85°C



Click [here](#) for the 3D model.

### Dimensions

D	50mm +1mm
L	105mm +/-2mm
S	25mm +/-0.1mm
LL	6.3mm +/-1mm
F	2mm +/-0.1mm

### Packaging Specifications

Sleaving	Yes
Packaging	Bulk, Bag

### General Information

Series	ALC10
Dielectric	Aluminum Electrolytic
Description	Snap-In, Aluminum Electrolytic
RoHS	Yes
Lead	5 Pin
AEC-Q200	No
Typical Component Weight	264 g
Notes	Dimensions D And L Include Sleaving.
Shelf Life	156 Weeks

### Specifications

Capacitance	2,200 uF
Capacitance Tolerance	20%
Voltage DC	450 VDC, 495 VDC (Surge)
Temperature Range	-40/+85°C
Rated Temperature	85°C
Life	18000 Hrs (Rated Voltage And Ripple Current At 85C), 29000 Hrs (Rated Voltage At 85C)
ESR	70 mOhms (100Hz 20C), 47 mOhms (10kHz 20C)
Ripple Current	6.81 Amps (100Hz 85C), 11.12 Amps (10kHz 85C)
Leakage Current	5940 uA (5min 20°C)