

Overview

The KEMET GL compact inlet filters cover single-phase requirements with a wide variety of characteristics. These filters are optimized for conduction noise.

Applications

- Industrial equipment
- Electronic equipment
- Audiovisual system

Benefits

- Single-phase 250 VAC
- Current range from 3 to 15 A
- Operating temperature range from -25°C to +55°C
- UL and CSA or UL, CSA, and TÜV, or TÜV approved versions available
- RoHS compliant

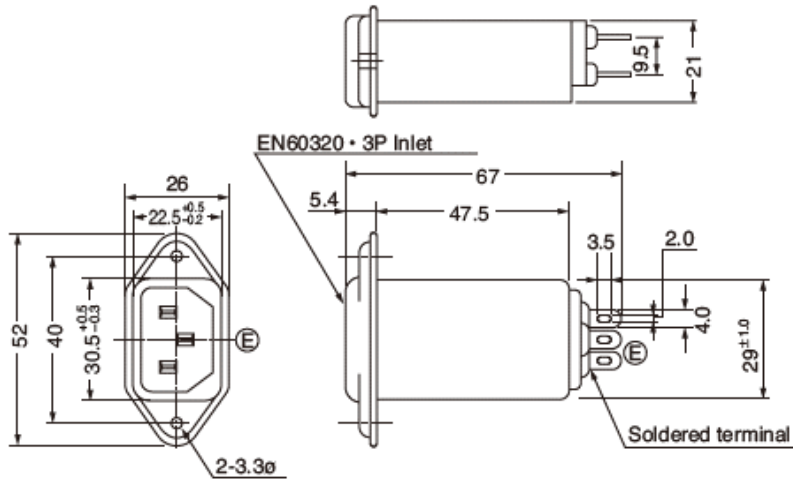


Part Number System

GL-	2	03	0C	-10
Series	Phase	Rated Current (A)	Specification	Terminal Type
GL	2 = Single-phase	0x = 0x A xx = xx A	0C = Standard 0C1 = Without C _y capacitor 0C2 = High performance at low frequency 0C3 = High performance at high frequency 0C4 = with C _x capacitor 0.082 μF 0E = Downward terminal 0ET = Downward terminal, without C _y capacitor 0F = Compact 0FV = Squeeze case 0H2 = With fuse 0M = High performance at low frequency, limited to rear panel mounting	Blank = Solder terminal -10 = Solder terminal -20 = Faston® terminal #187 -30 = Faston® terminal #250 Note: With exceptions, see Table 1 for details Note: Faston® is a registered trademark of Tyco Electronics AMP

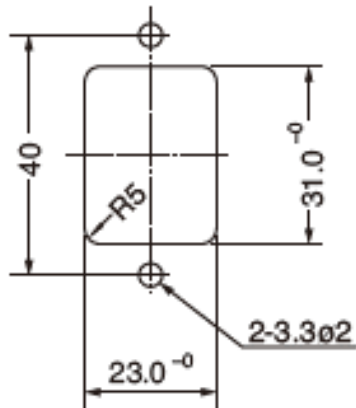
Dimensions – Millimeters

GL-***0C*

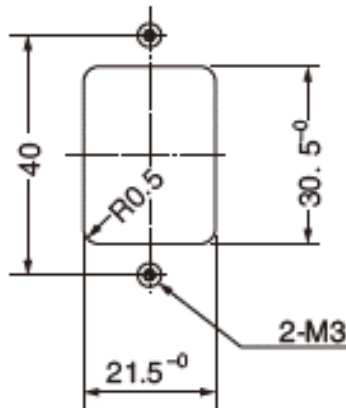


Installation Reference

1) For rear panel installation



2) For front panel installation

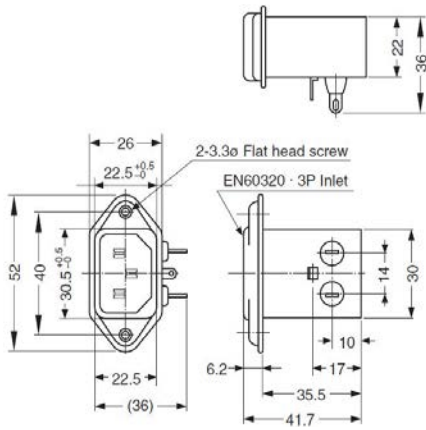


Recommended torque (N-m) maximum

• Panel installation (M3: 0.78)

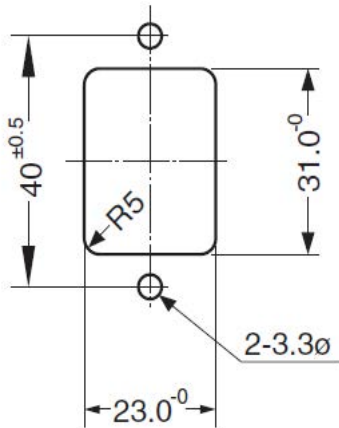
Dimensions – Millimeters cont.

GL-2**0E*



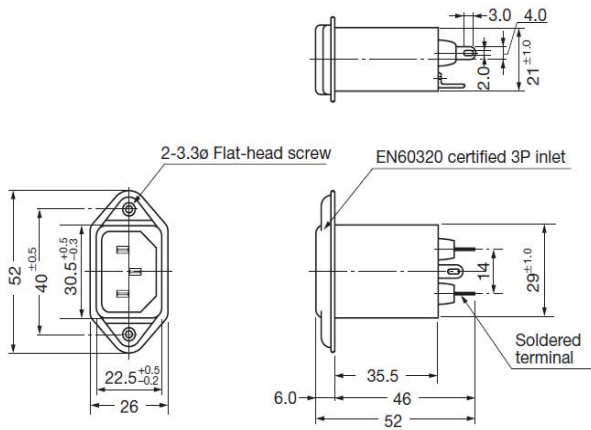
Installation Reference

1) For rear panel installation



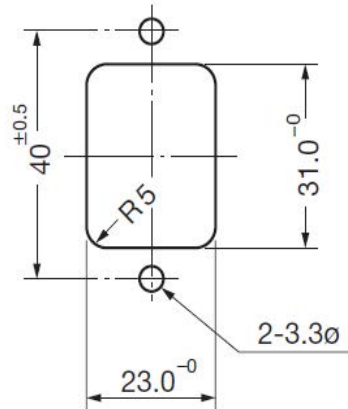
Dimensions – Millimeters cont.

GL-2**0F

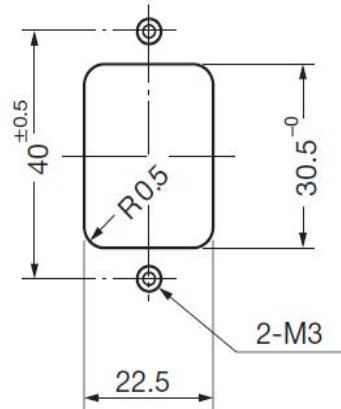


Installation Reference

1) For rear panel installation



2) For front panel installation

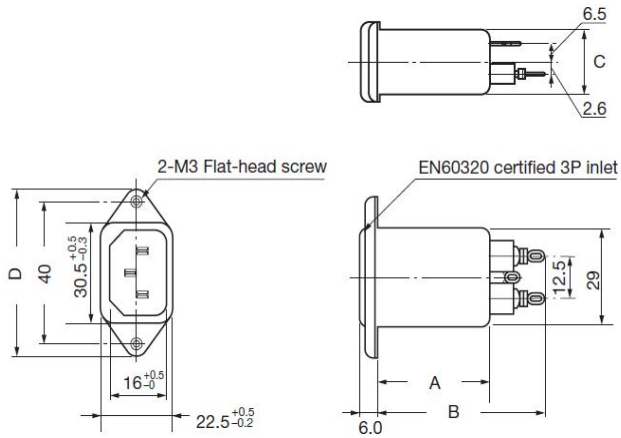


Recommended torque (N-m) maximum

• Panel installation (M3: 0.78)

Dimensions – Millimeters cont.

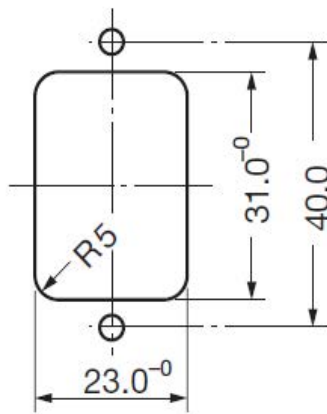
GL-2**0FV-10



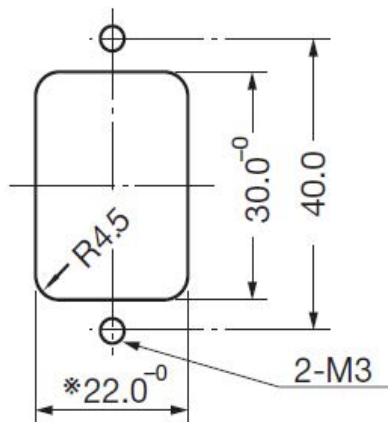
Part Type	A	B	C	D
GL-2**0FV-10	35.5	50.0	21.0	50.0

Installation Reference

1) For rear panel installation



2) For front panel installation

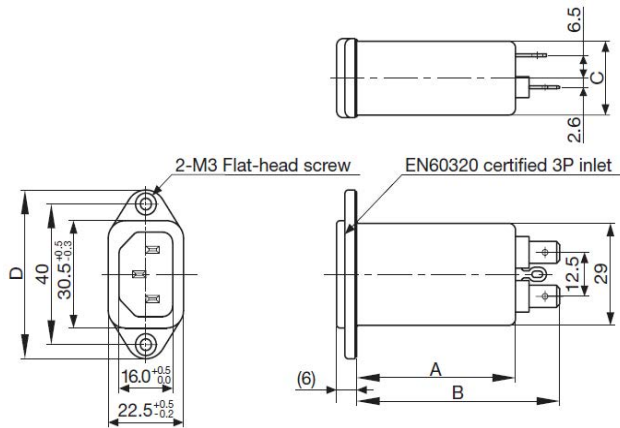


Recommended torque (N-m) maximum

• Panel installation (M3: 0.78)

Dimensions – Millimeters cont.

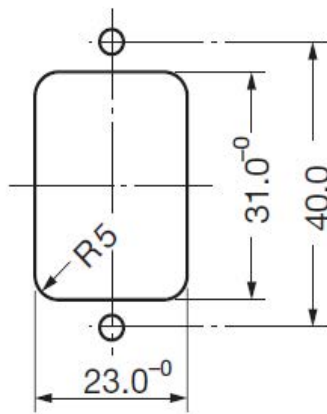
GL-2**0FV-30



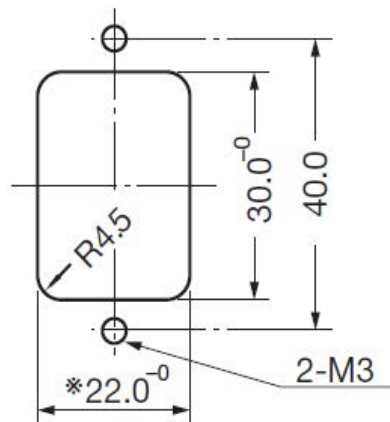
Part Type	A	B	C	D
GL-2**0FV-30	35.5	50.0	21.0	50.0

Installation Reference

1) For rear panel installation



2) For front panel installation

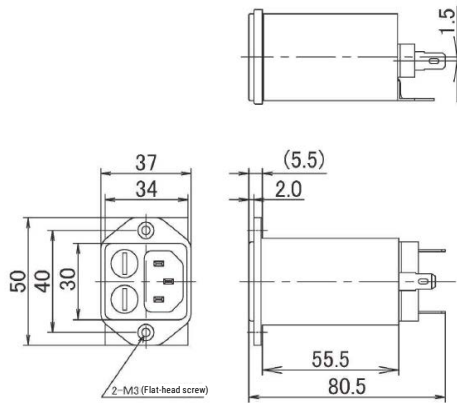


Recommended torque (N-m) maximum

• Panel installation (M3: 0.78)

Dimensions – Millimeters cont.

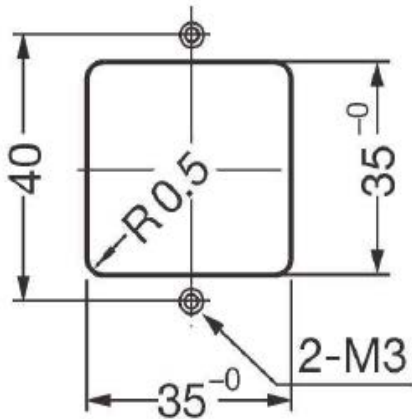
GL-2**0H2



Faston® is a registered trademark of Tyco Electronics AMP.

Installation Reference

For front panel installation

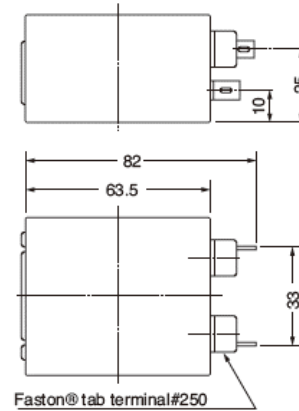
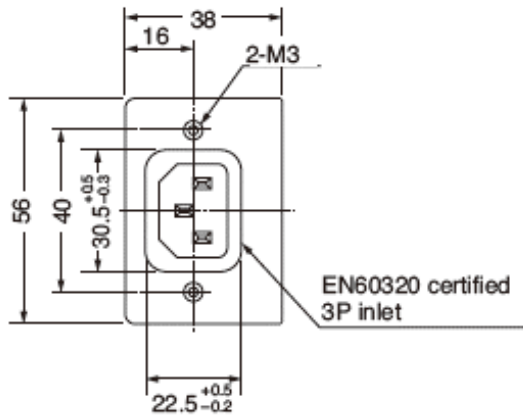


Recommended torque (N-m) maximum

• Panel installation (M3: 0.50)

Dimensions – Millimeters cont.

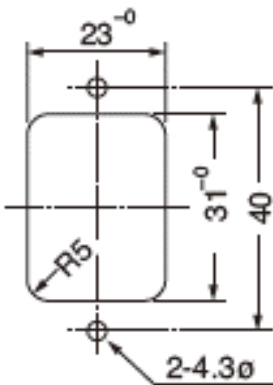
GL-2**0M



Faston® is a registered trademark of Tyco Electronics AMP.

Installation Reference

1) For rear panel installation



Recommended torque (N-m) maximum
• Panel installation (M3: 0.735)

Environmental Compliance

KEMET GL EMI-RFI Filters comply with EU RoHS Directive 2011/65/EU and (EU) 2015/863. Products that fall under the exemptions listed in below table are also included.



Part Number	RoHS Compliant	RoHS Exemption Code
GL-2030C-10	Yes	No
GL-2030C2	Yes	No
GL-2030C3	Yes	No
GL-2060C-10	Yes	No
GL-2060C-20	Yes	No
GL-2060C3	Yes	No
GL-2080C4	Yes	No
GL-2100C	Yes	No
GL-2100C1	Yes	No
GL-2150C-10	Yes	No
GL-2150C-30	Yes	No
GL-2030E	Yes	No
GL-2030ET	Yes	No
GL-2030F	Yes	No
GL-2060F	Yes	No
GL-2030FV-10	Yes	No
GL-2060FV-10	Yes	No
GL-2030FV-30	Yes	No
GL-2030H2	Yes	7(c)-I
GL-2060H2	Yes	7(c)-I
GL-2030M	Yes	7(c)-I
GL-2060M	Yes	7(c)-I
GL-2100M	Yes	7(c)-I

Code	Exemption
7(c)-I	Electrical and electronic components containing lead in a glass or ceramic other than dielectric ceramic in capacitors, e.g. piezoelectronic devices, or in a glass or ceramic matrix compound

Approvals

Certification Body	File Number	Part Number
UL	E59551	GL-2030C-10, GL-2030C2, GL-2030C3, GL-2060C-10, GL-2060C-20, GL-2060C3, GL-2080C4, GL-2100C, GL-2100C1, GL-2150C-10, GL-2150C-30, GL-2030E, GL-2030ET, GL-2030F, GL-2060F, GL-2030FV-10, GL-2060FV-10, GL-2030FV-30, GL-2030M, GL-2060M and GL-2100M
CSA	LR50413	GL-2030C-10, GL-2030C2, GL-2030C3, GL-2060C-10, GL-2060C-20, GL-2060C3, GL-2080C4, GL-2100C, GL-2100C1, GL-2150C-10, GL-2150C-30, GL-2030E, GL-2030ET, GL-2030F, GL-2060F, GL-2030FV-10, GL-2060FV-10, GL-2030FV-30, GL-2030M, GL-2060M and GL-2100M
TÜV Rheinland Japan Ltd.	R50013349	GL-2030E
	R50013357	GL-2030C-10, GL-2030C2, GL-2030C3, GL-2060C-10, GL-2060C-20 and GL-2060C3
	R50013360	GL-2030F and GL-2060F
	R50013384	GL-2030M, GL-2060M and GL-2100M
	R50014166	GL-2080C4
	R50014260	GL-2100C and GL-2100C1
	R50014261	GL-2150C-10 and GL-2150C-30
	R50015796	GL-2030H2 and GL-2060H2
R50015850	GL-2030FV-10, GL-2030FV-30 and GL-2060FV-10	

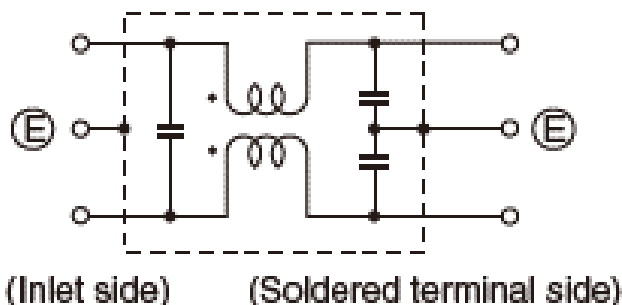
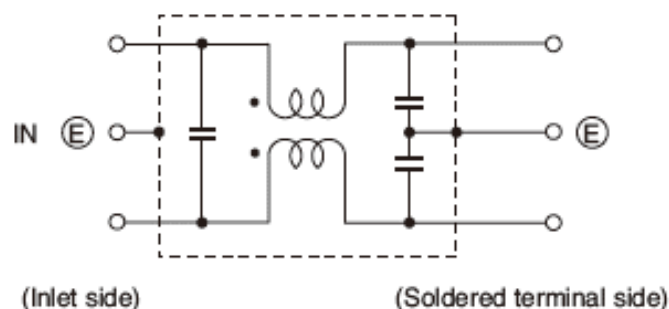
Performance Characteristics

Item	Performance Characteristics
Rated Voltage	250 V
Rated Current Range	3 – 15 A
Withstanding Voltage	1,500 VAC (1 minute, line to ground)
Insulation Resistance	300 MΩ minimum at 500 VDC (1 minute, line to ground)
Leakage Current Range	0.005 – 0.500 mA maximum at 250 V/60 Hz
Input/Output Terminal Type	Inlet Solder terminal and Inlet Faston®
Operating Temperature Range	-25°C to +55°C (not including self temperature rise)

Table 1 – Ratings & Part Number Reference

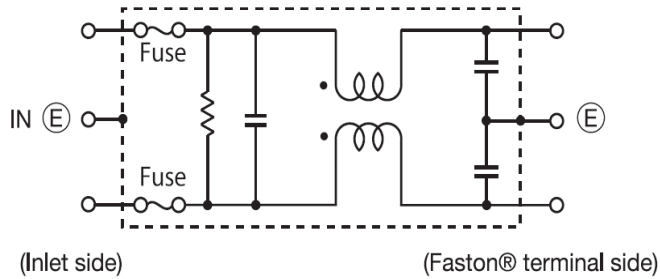
Part Number	Phase	Rated Voltage AC (V)	Rated Current AC (A)	Leakage Current at 250 V/60 Hz (mA) Maximum	Temperature Rise (K) Maximum	Operating Temperature Range	Terminal Type	Approval	Weight (g)
GL-2030C-10	Single-phase	250	3	0.500	30	-25°C to +55°C	Solder terminal	UL, CSA and TÜV	55
GL-2030C2	Single-phase	250	3	0.500	30	-25°C to +55°C	Solder terminal	UL, CSA and TÜV	55
GL-2030C3	Single-phase	250	3	0.500	30	-25°C to +55°C	Solder terminal	UL, CSA and TÜV	55
GL-2060C-10	Single-phase	250	6	0.500	30	-25°C to +55°C	Solder terminal	UL, CSA and TÜV	55
GL-2060C-20	Single-phase	250	6	0.500	30	-25°C to +55°C	Faston® (#187)	UL, CSA and TÜV	50
GL-2060C3	Single-phase	250	6	0.500	30	-25°C to +55°C	Solder terminal	UL, CSA and TÜV	55
GL-2080C4	Single-phase	250	8	0.500	30	-25°C to +55°C	Solder terminal	UL, CSA and TÜV	55
GL-2100C	Single-phase	250	10	0.500	30	-25°C to +55°C	Solder terminal	UL, CSA and TÜV	55
GL-2100C1	Single-phase	250	10	0.500	30	-25°C to +55°C	Solder terminal	UL, CSA and TÜV	53
GL-2150C-10	Single-phase	250	15	0.500	30	-25°C to +55°C	Solder terminal	UL, CSA and TÜV	55
GL-2150C-30	Single-phase	250	15	0.500	30	-25°C to +55°C	Faston® (#250)	UL, CSA and TÜV	55
GL-2030E	Single-phase	250	3	0.500	30	-25°C to +55°C	Solder terminal	UL, CSA and TÜV	40
GL-2030ET	Single-phase	250	3	0.005	30	-25°C to +55°C	Solder terminal	UL and CSA	35
GL-2030F	Single-phase	250	3	0.500	30	-25°C to +55°C	Solder terminal	UL, CSA and TÜV	40
GL-2060F	Single-phase	250	6	0.500	30	-25°C to +55°C	Solder terminal	UL, CSA and TÜV	40
GL-2030FV-10	Single-phase	250	3	0.500	30	-25°C to +55°C	Solder terminal	UL, CSA and TÜV	40
GL-2060FV-10	Single-phase	250	6	0.500	30	-25°C to +55°C	Solder terminal	UL, CSA and TÜV	40
GL-2030FV-30	Single-phase	250	3	0.500	30	-25°C to +55°C	Faston® (#250)	UL, CSA and TÜV	42
GL-2030H2	Single-phase	250	3	0.500	30	-25°C to +55°C	Faston® (#250)	TÜV	90
GL-2060H2	Single-phase	250	6	0.500	30	-25°C to +55°C	Faston® (#250)	TÜV	90
GL-2030M	Single-phase	250	3	0.500	30	-25°C to +55°C	Faston® (#250)	UL, CSA and TÜV	200
GL-2060M	Single-phase	250	6	0.500	30	-25°C to +55°C	Faston® (#250)	UL, CSA and TÜV	205
GL-2100M	Single-phase	250	10	0.500	30	-25°C to +55°C	Faston® (#250)	UL, CSA and TÜV	210

Circuit Diagram

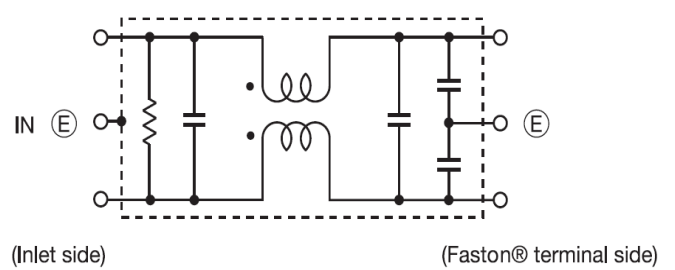
GL-20C*, GL-2**0E, GL-2**0F***

GL-20ET**


Circuit Diagram cont.

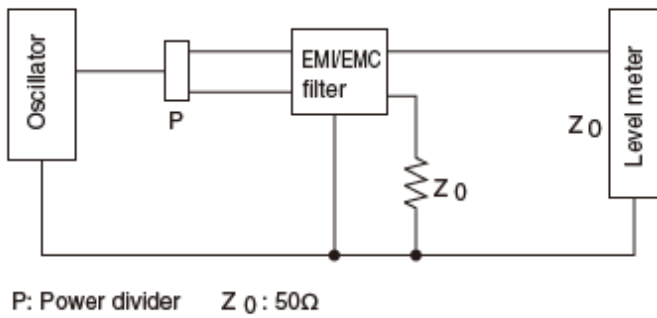
GL-2**0H2



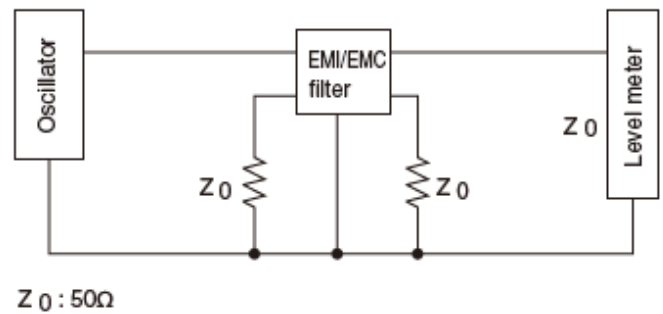
GL-2**0M



Measuring Circuit - Common Mode



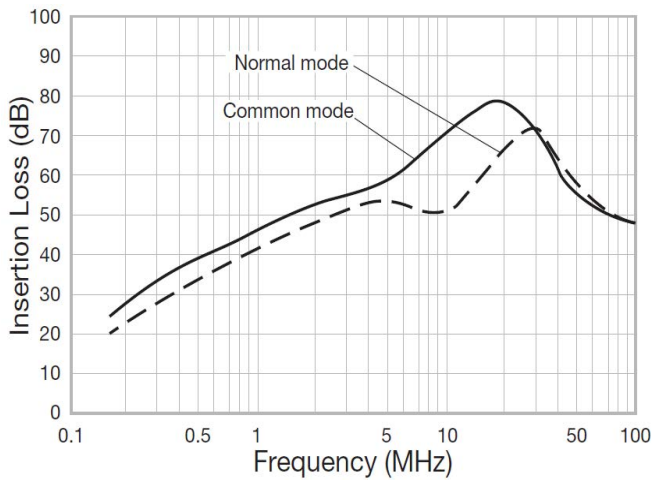
Measuring Circuit - Normal Mode¹



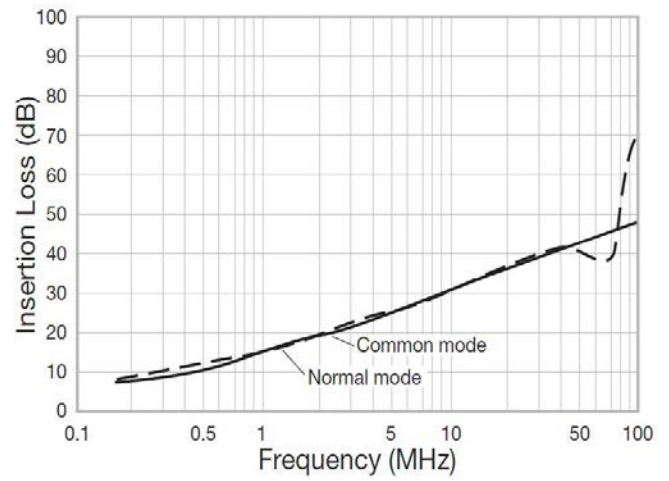
¹ Not applicable: GL2150C-30, GL-2030E, GL-2030FV-10, GL-2060FV-10, GL-2030FV-30, GL-2030H2 and GL-2060H2

Attenuation (Static Characteristics)

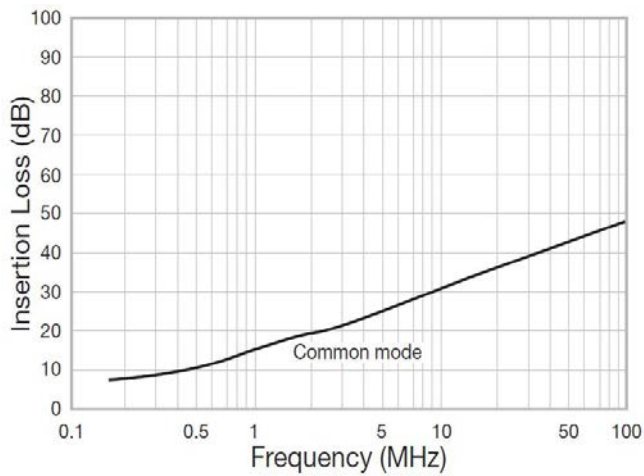
GL-2030C-10



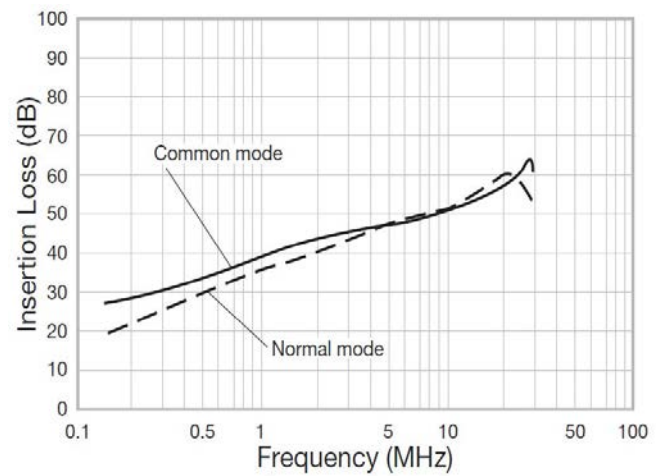
GL-2150C-10



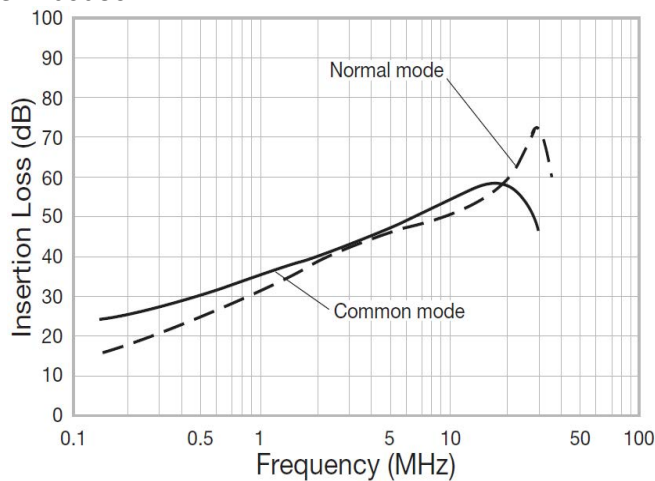
GL-2150C-30



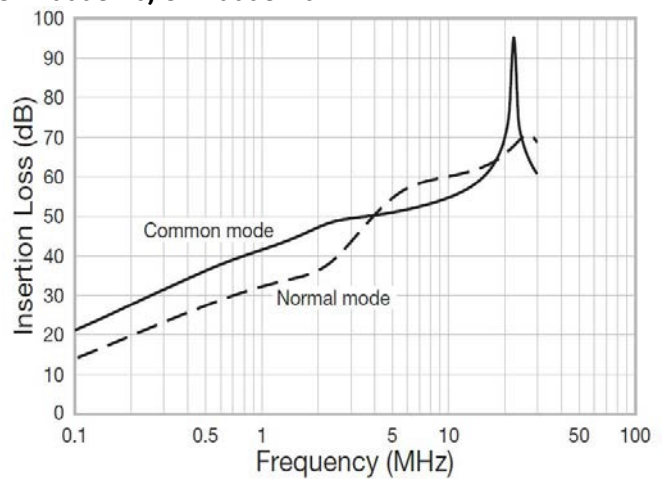
GL-2030C2



GL-2030C3

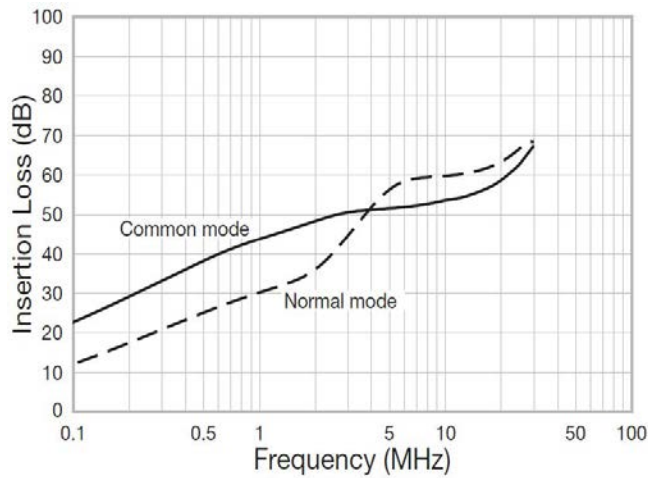


GL-2060C-10, GL-2060C-20

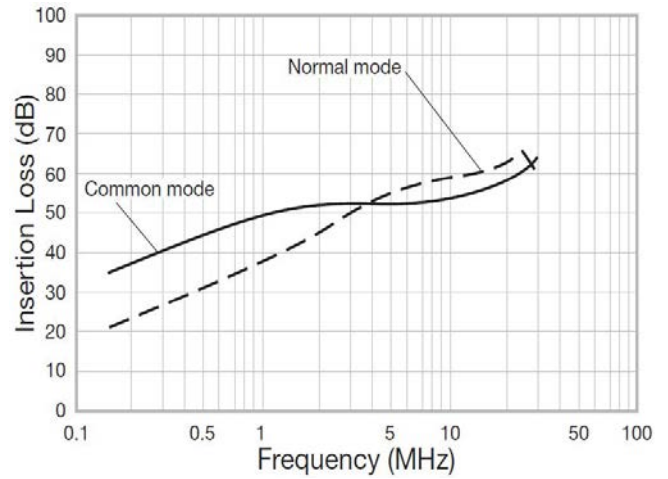


Attenuation (Static Characteristics) cont.

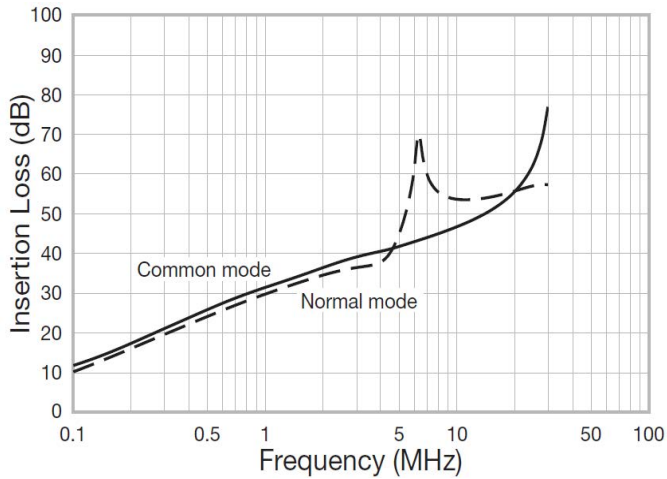
GL-2060C3



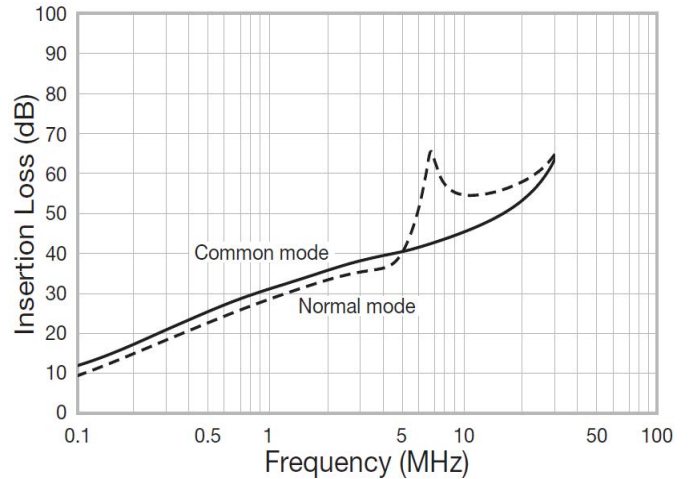
GL-2080C4



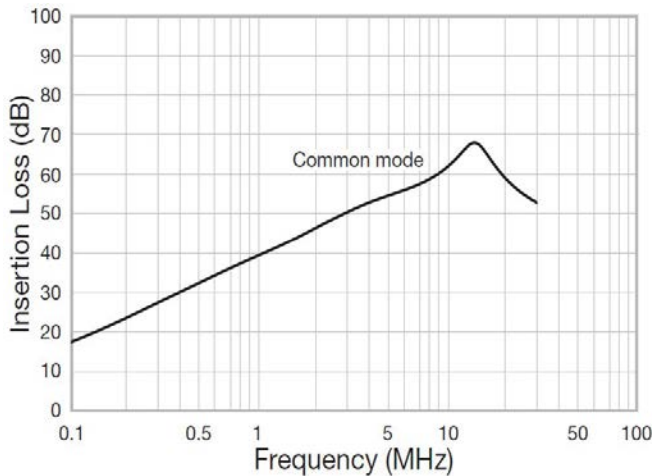
GL-2100C



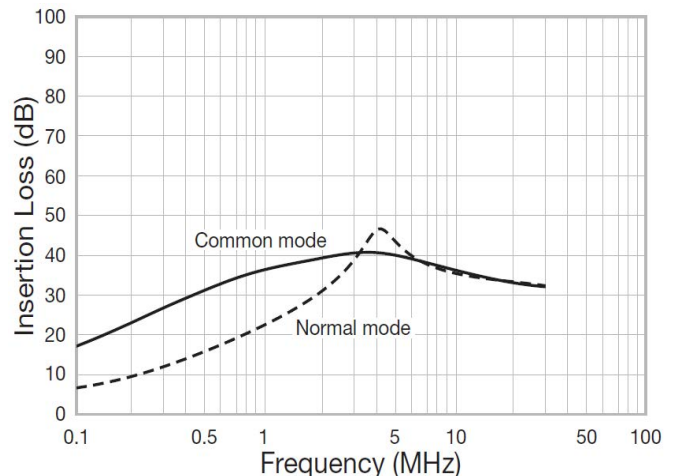
GL-2100C1



GL-2030E

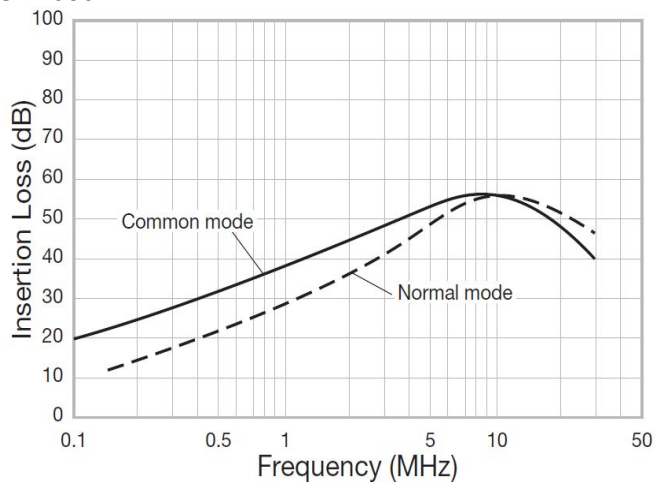


GL-2030ET

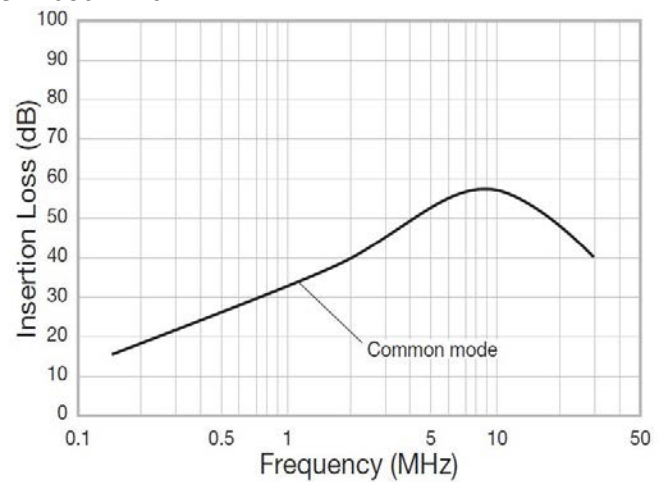


Attenuation (Static Characteristics) cont.

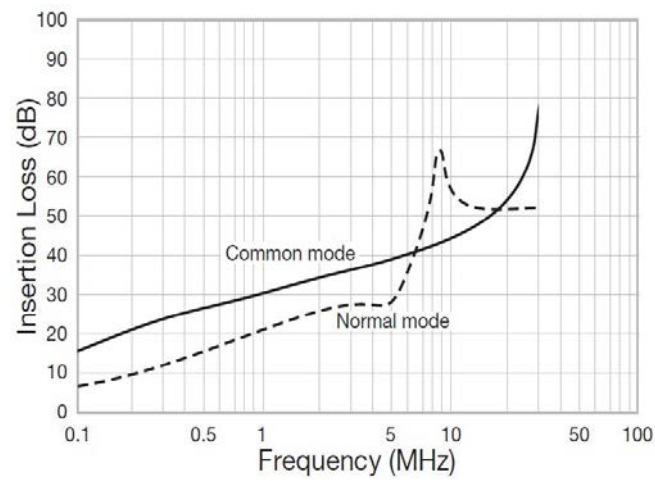
GL-2030F



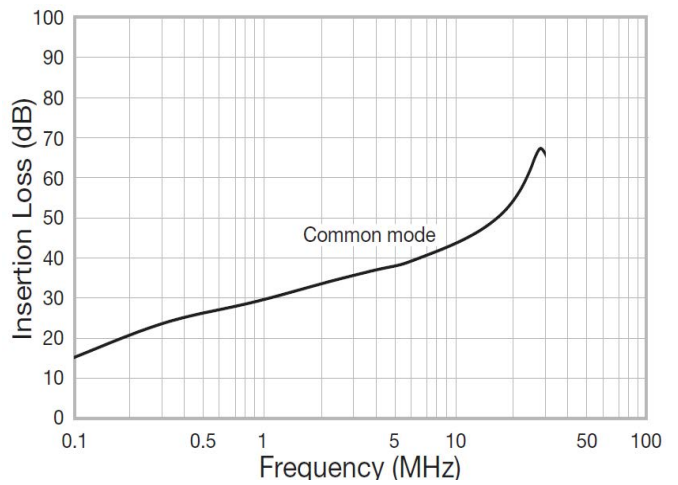
GL-2030FV-10



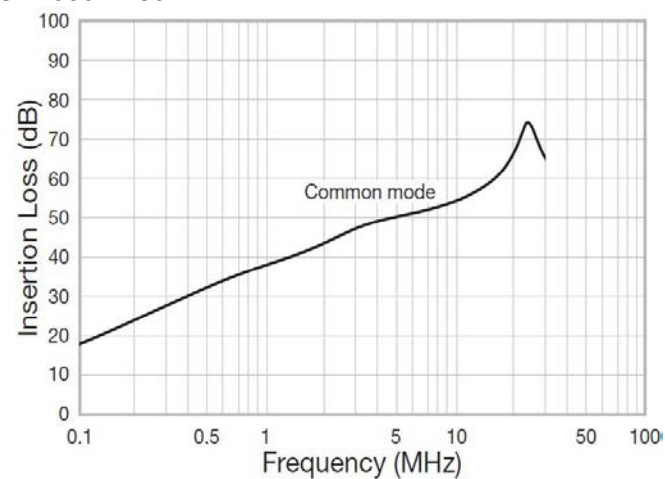
GL-2060F



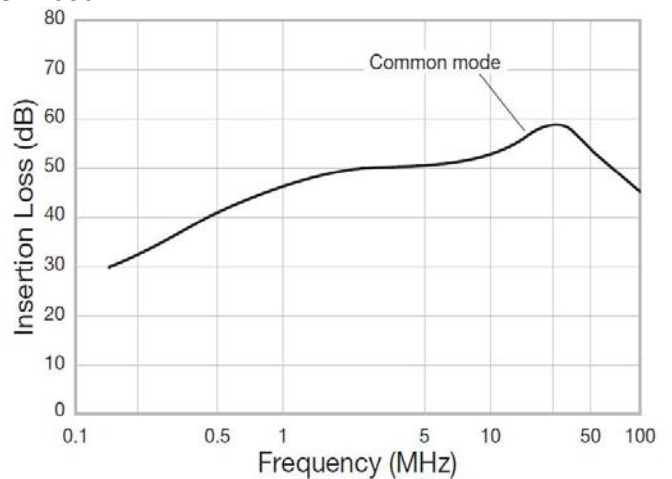
GL-2060FV-10



GL-2030FV-30

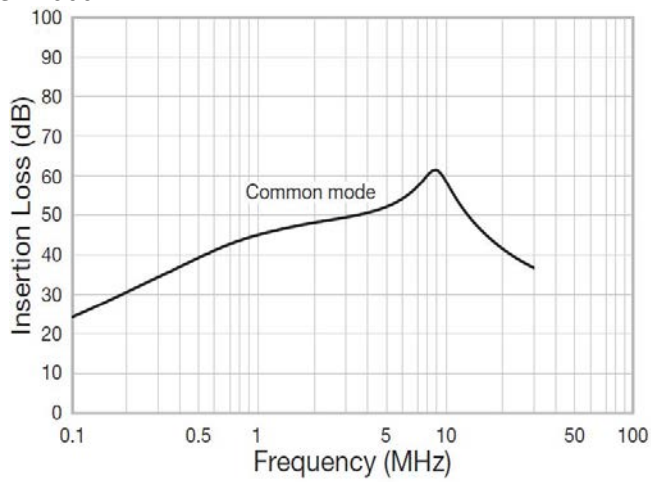


GL-2030H2

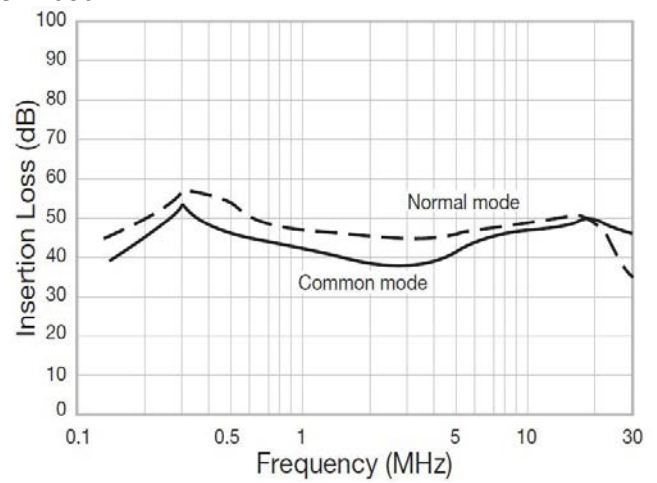


Attenuation (Static Characteristics) cont.

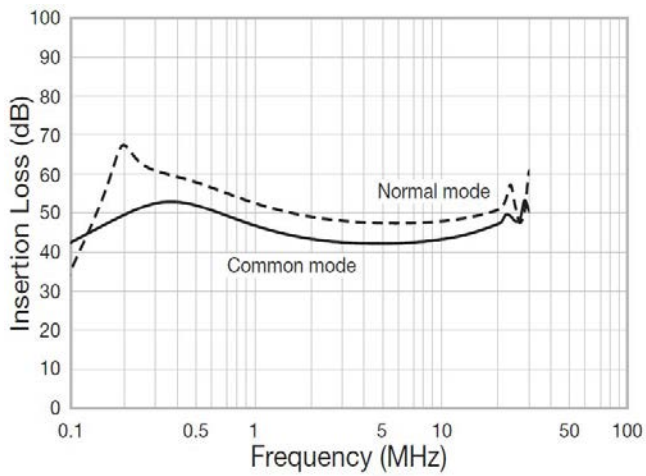
GL-2060H2



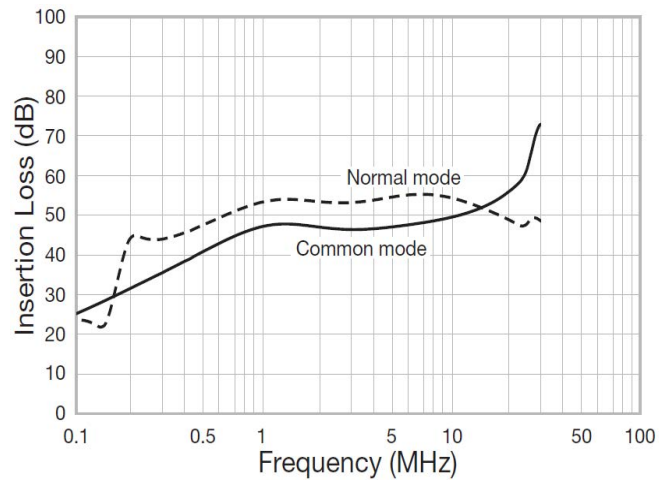
GL-2030M



GL-2060M



GL-2100M



Packaging

Part Type	Packaging Type	Pieces per Box
GL-2**0C*	Tray	25
GL-2**0E*		40
GL-2**0F		25
GL-2**0FV*		25
GL-2**0H2		20
GL-2**0M		8

Handling Precautions

Precautions for product storage

EMI-RFI Filters should be stored in normal working environments. While the filters themselves are quite robust in other environments, solderability will be degraded by exposure to high temperatures, high humidity, corrosive atmospheres, and long term storage.

KEMET recommends that maximum storage temperature not exceed 40°C and maximum storage humidity not exceed 70% relative humidity and atmospheres should be free of chlorine and sulfur bearing compounds. Temperature fluctuations should be minimized to avoid condensation on the parts. Also, avoid storage near strong magnetic fields as this might magnetize the product.

For the GL parts with solder terminals as categorized in Table 1 - Ratings & Part Number Reference, for optimized solderability, their stock should be used promptly, preferably within 6 months of receipt. For the other parts, having Faston® terminals, their stock should be used preferably within 12 months of receipt.

KEMET Electronics Corporation Sales Offices

For a complete list of our global sales offices, please visit www.kemet.com/sales.

Disclaimer

YAGEO Corporation and its affiliates do not recommend the use of commercial or automotive grade products for high reliability applications or manned space flight.

All product specifications, statements, information and data (collectively, the "Information") in this datasheet are subject to change. The customer is responsible for checking and verifying the extent to which the Information contained in this publication is applicable to an order at the time the order is placed. All Information given herein is believed to be accurate and reliable, but it is presented without guarantee, warranty, or responsibility of any kind, expressed or implied.

Statements of suitability for certain applications are based on KEMET Electronics Corporation's ("KEMET") knowledge of typical operating conditions for such applications, but are not intended to constitute – and KEMET specifically disclaims – any warranty concerning suitability for a specific customer application or use. The Information is intended for use only by customers who have the requisite experience and capability to determine the correct products for their application. Any technical advice inferred from this Information or otherwise provided by KEMET with reference to the use of KEMET's products is given gratis, and KEMET assumes no obligation or liability for the advice given or results obtained.

Although KEMET designs and manufactures its products to the most stringent quality and safety standards, given the current state of the art, isolated component failures may still occur. Accordingly, customer applications which require a high degree of reliability or safety should employ suitable designs or other safeguards (such as installation of protective circuitry or redundancies) in order to ensure that the failure of an electrical component does not result in a risk of personal injury or property damage.

Although all product-related warnings, cautions and notes must be observed, the customer should not assume that all safety measures are indicated or that other measures may not be required.

When providing KEMET products and technologies contained herein to other countries, the customer must abide by the procedures and provisions stipulated in all applicable export laws and regulations, including without limitation the International Traffic in Arms Regulations (ITAR), the US Export Administration Regulations (EAR) and the Japan Foreign Exchange and Foreign Trade Act.

KEMET is a registered trademark of KEMET Electronics Corporation.