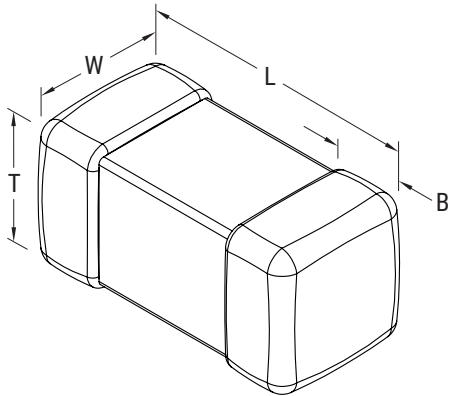


## Sample Kit Contents

KEMET Part Number	Case Size	Capacitance	Cap Tolerance	Rated Voltage	Dielectric	Quantity
	EIA/Metric	(pF)	%	(V)		
CBR06C208BAGAC	0603 / 1608	0.2	±0.1 pF	250	COG	100
CBR06C308BAGAC	0603 / 1608	0.3	±0.1 pF	250	COG	100
CBR06C408BAGAC	0603 / 1608	0.4	±0.1 pF	250	COG	100
CBR06C508BAGAC	0603 / 1608	0.5	±0.1 pF	250	COG	100
CBR06C608BAGAC	0603 / 1608	0.6	±0.1 pF	250	COG	100
CBR06C708BAGAC	0603 / 1608	0.7	±0.1 pF	250	COG	100
CBR06C808BAGAC	0603 / 1608	0.8	±0.1 pF	250	COG	100
CBR06C908BAGAC	0603 / 1608	0.9	±0.1 pF	250	COG	100
CBR06C109BAGAC	0603 / 1608	1.0	±0.1 pF	250	COG	100
CBR06C129BAGAC	0603 / 1608	1.2	±0.1 pF	250	COG	100
CBR06C159BAGAC	0603 / 1608	1.5	±0.1 pF	250	COG	100
CBR06C189BAGAC	0603 / 1608	1.8	±0.1 pF	250	COG	100
CBR06C209BAGAC	0603 / 1608	2.0	±0.1 pF	250	COG	100
CBR06C229BAGAC	0603 / 1608	2.2	±0.1 pF	250	COG	100
CBR06C279BAGAC	0603 / 1608	2.7	±0.1 pF	250	COG	100
CBR06C309BAGAC	0603 / 1608	3.0	±0.1 pF	250	COG	100
CBR06C339BAGAC	0603 / 1608	3.3	±0.1 pF	250	COG	100
CBR06C399BAGAC	0603 / 1608	3.9	±0.1 pF	250	COG	100
CBR06C409BAGAC	0603 / 1608	4.0	±0.1 pF	250	COG	100
CBR06C479BAGAC	0603 / 1608	4.7	±0.1 pF	250	COG	100
CBR06C509CAGAC	0603 / 1608	5.0	±0.25 pF	250	COG	100
CBR06C569CAGAC	0603 / 1608	5.6	±0.25 pF	250	COG	100
CBR06C609CAGAC	0603 / 1608	6.0	±0.25 pF	250	COG	100
CBR06C689CAGAC	0603 / 1608	6.8	±0.25 pF	250	COG	100
CBR06C709CAGAC	0603 / 1608	7.0	±0.25 pF	250	COG	100
CBR06C759CAGAC	0603 / 1608	7.5	±0.25 pF	250	COG	100
CBR06C809CAGAC	0603 / 1608	8.0	±0.25 pF	250	COG	100
CBR06C829CAGAC	0603 / 1608	8.2	±0.25 pF	250	COG	100
CBR06C909CAGAC	0603 / 1608	9.0	±0.25 pF	250	COG	100
CBR06C100JAGAC	0603 / 1608	10.0	5%	250	COG	100
CBR06C120JAGAC	0603 / 1608	12.0	5%	250	COG	100
CBR06C150JAGAC	0603 / 1608	15.0	5%	250	COG	100
CBR06C180JAGAC	0603 / 1608	18.0	5%	250	COG	100
CBR06C220JAGAC	0603 / 1608	22.0	5%	250	COG	100
CBR06C270JAGAC	0603 / 1608	27.0	5%	250	COG	100
CBR06C330JAGAC	0603 / 1608	33.0	5%	250	COG	100
CBR06C390JAGAC	0603 / 1608	39.0	5%	250	COG	100
CBR06C470JAGAC	0603 / 1608	47.0	5%	250	COG	100
CBR06C560JAGAC	0603 / 1608	56.0	5%	250	COG	100
CBR06C680JAGAC	0603 / 1608	68.0	5%	250	COG	100
CBR06C820JAGAC	0603 / 1608	82.0	5%	250	COG	100
CBR06C101JAGAC	0603 / 1608	100.0	5%	250	COG	100
KEMET Part Number	Case Size	Capacitance	Cap Tolerance	Rated Voltage	Dielectric	Quantity

## Dimensions – Millimeters (Inches)



Case Size (in.)	Case Size (mm)	L Length	W Width	T Thickness	B Bandwidth	Mounting Technique
0603	1608	1.60 ±0.10 (0.063 ±0.004)	0.80 ±0.10 (0.031 ±0.004)	0.80 ±0.1 (0.031 ±0.004)	0.40 ±0.20 (0.016 ±0.008)	Solder Wave or Solder Reflow

## KEMET Electronics Corporation Sales Offices

For a complete list of our global sales offices, please visit [www.kemet.com/sales](http://www.kemet.com/sales).

---

### Disclaimer

YAGEO Corporation and its affiliates do not recommend the use of commercial or automotive grade products for high reliability applications or manned space flight.

All product specifications, statements, information and data (collectively, the "Information") in this datasheet are subject to change. The customer is responsible for checking and verifying the extent to which the Information contained in this publication is applicable to an order at the time the order is placed. All Information given herein is believed to be accurate and reliable, but it is presented without guarantee, warranty, or responsibility of any kind, expressed or implied.

Statements of suitability for certain applications are based on KEMET Electronics Corporation's ("KEMET") knowledge of typical operating conditions for such applications, but are not intended to constitute – and KEMET specifically disclaims – any warranty concerning suitability for a specific customer application or use. The Information is intended for use only by customers who have the requisite experience and capability to determine the correct products for their application. Any technical advice inferred from this Information or otherwise provided by KEMET with reference to the use of KEMET's products is given gratis, and KEMET assumes no obligation or liability for the advice given or results obtained.

Although KEMET designs and manufactures its products to the most stringent quality and safety standards, given the current state of the art, isolated component failures may still occur. Accordingly, customer applications which require a high degree of reliability or safety should employ suitable designs or other safeguards (such as installation of protective circuitry or redundancies) in order to ensure that the failure of an electrical component does not result in a risk of personal injury or property damage.

Although all product-related warnings, cautions and notes must be observed, the customer should not assume that all safety measures are indicated or that other measures may not be required.

*KEMET is a registered trademark of KEMET Electronics Corporation.*