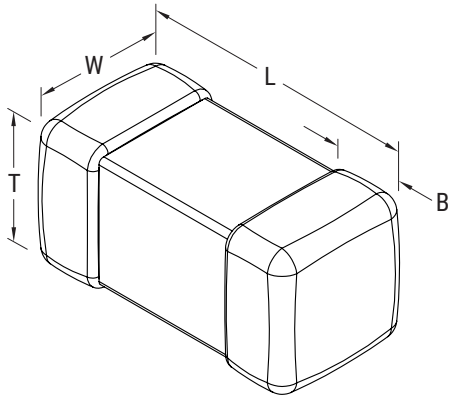


## Sample Kit Contents

KEMET Part Number	Case Size	Capacitance	Cap Tolerance	Rated Voltage	Dielectric	Quantity
	EIA/Metric	(pF)	%	(V)		
CBR02C108B1GAC	0201 / 0603	0.1	±0.1 pF	100	COG	100
CBR02C208B1GAC	0201 / 0603	0.2	±0.1 pF	100	COG	100
CBR02C308B1GAC	0201 / 0603	0.3	±0.1 pF	100	COG	100
CBR02C408B1GAC	0201 / 0603	0.4	±0.1 pF	100	COG	100
CBR02C508B1GAC	0201 / 0603	0.5	±0.1 pF	100	COG	100
CBR02C608B1GAC	0201 / 0603	0.6	±0.1 pF	100	COG	100
CBR02C708B1GAC	0201 / 0603	0.7	±0.1 pF	100	COG	100
CBR02C808B1GAC	0201 / 0603	0.8	±0.1 pF	100	COG	100
CBR02C908B1GAC	0201 / 0603	0.9	±0.1 pF	100	COG	100
CBR02C109B1GAC	0201 / 0603	1.0	±0.1 pF	100	COG	100
CBR02C129B1GAC	0201 / 0603	1.2	±0.1 pF	100	COG	100
CBR02C159B1GAC	0201 / 0603	1.5	±0.1 pF	100	COG	100
CBR02C189B1GAC	0201 / 0603	1.8	±0.1 pF	100	COG	100
CBR02C209B1GAC	0201 / 0603	2.0	±0.1 pF	100	COG	100
CBR02C229B1GAC	0201 / 0603	2.2	±0.1 pF	100	COG	100
CBR02C279B1GAC	0201 / 0603	2.7	±0.1 pF	100	COG	100
CBR02C309B1GAC	0201 / 0603	3.0	±0.1 pF	100	COG	100
CBR02C339B1GAC	0201 / 0603	3.3	±0.1 pF	100	COG	100
CBR02C399B1GAC	0201 / 0603	3.9	±0.1 pF	100	COG	100
CBR02C409B1GAC	0201 / 0603	4.0	±0.1 pF	100	COG	100
CBR02C479B1GAC	0201 / 0603	4.7	±0.1 pF	100	COG	100
CBR02C509C1GAC	0201 / 0603	5.0	±0.25 pF	100	COG	100
CBR02C569C1GAC	0201 / 0603	5.6	±0.25 pF	100	COG	100
CBR02C609C1GAC	0201 / 0603	6.0	±0.25 pF	100	COG	100
CBR02C689C1GAC	0201 / 0603	6.8	±0.25 pF	100	COG	100
CBR02C709C1GAC	0201 / 0603	7.0	±0.25 pF	100	COG	100
CBR02C759C1GAC	0201 / 0603	7.5	±0.25 pF	100	COG	100
CBR02C809C1GAC	0201 / 0603	8.0	±0.25 pF	100	COG	100
CBR02C829C1GAC	0201 / 0603	8.2	±0.25 pF	100	COG	100
CBR02C909C1GAC	0201 / 0603	9.0	±0.25 pF	100	COG	100
CBR02C100J1GAC	0201 / 0603	10.0	5%	100	COG	100
CBR02C120J5GAC	0201 / 0603	12.0	5%	50	COG	100
CBR02C150J5GAC	0201 / 0603	15.0	5%	50	COG	100
CBR02C180J5GAC	0201 / 0603	18.0	5%	50	COG	100
CBR02C220J5GAC	0201 / 0603	22.0	5%	50	COG	100
CBR02C270J5GAC	0201 / 0603	27.0	5%	50	COG	100
CBR02C330J5GAC	0201 / 0603	33.0	5%	50	COG	100
CBR02C390J5GAC	0201 / 0603	39.0	5%	50	COG	100
KEMET Part Number	Case Size	Capacitance	Cap Tolerance	Rated Voltage	Dielectric	Quantity

## Dimensions – Millimeters (Inches)



Case Size (in.)	Case Size (mm)	L Length	W Width	T Thickness	B Bandwidth	Mounting Technique
0201	0603	0.60±0.03 (0.024±0.001)	0.30±0.03 (0.012±0.001)	0.30±0.03 (0.012±0.001)	0.15±0.05 (0.006±0.002)	Solder Reflow Only

## KEMET Electronics Corporation Sales Offices

For a complete list of our global sales offices, please visit [www.kemet.com/sales](http://www.kemet.com/sales).

---

### Disclaimer

YAGEO Corporation and its affiliates do not recommend the use of commercial or automotive grade products for high reliability applications or manned space flight.

All product specifications, statements, information and data (collectively, the "Information") in this datasheet are subject to change. The customer is responsible for checking and verifying the extent to which the Information contained in this publication is applicable to an order at the time the order is placed. All Information given herein is believed to be accurate and reliable, but it is presented without guarantee, warranty, or responsibility of any kind, expressed or implied.

Statements of suitability for certain applications are based on KEMET Electronics Corporation's ("KEMET") knowledge of typical operating conditions for such applications, but are not intended to constitute – and KEMET specifically disclaims – any warranty concerning suitability for a specific customer application or use. The Information is intended for use only by customers who have the requisite experience and capability to determine the correct products for their application. Any technical advice inferred from this Information or otherwise provided by KEMET with reference to the use of KEMET's products is given gratis, and KEMET assumes no obligation or liability for the advice given or results obtained.

Although KEMET designs and manufactures its products to the most stringent quality and safety standards, given the current state of the art, isolated component failures may still occur. Accordingly, customer applications which require a high degree of reliability or safety should employ suitable designs or other safeguards (such as installation of protective circuitry or redundancies) in order to ensure that the failure of an electrical component does not result in a risk of personal injury or property damage.

Although all product-related warnings, cautions and notes must be observed, the customer should not assume that all safety measures are indicated or that other measures may not be required.

*KEMET is a registered trademark of KEMET Electronics Corporation.*