

# HiQ-CBR Automotive Series, EIA 0402 Case Size, COG Dielectric



## Sample Kit Contents

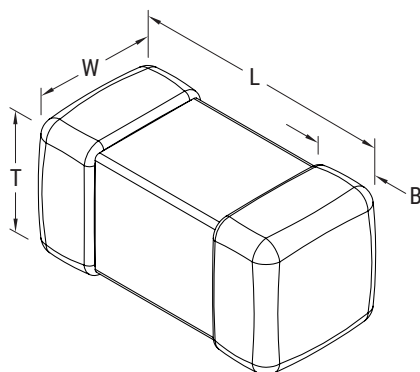
KEMET Part Number	Case Size	Capacitance	Cap Tolerance	Rated Voltage	Dielectric	Quantity
	EIA/Metric	(pF)		(V)		
CBR04C108B5GACAUTO	0402 / 1005	0.1	±0.10 pF	50	COG	100
CBR04C208B5GACAUTO	0402 / 1005	0.2	±0.10 pF	50	COG	100
CBR04C308B5GACAUTO	0402 / 1005	0.3	±0.10 pF	50	COG	100
CBR04C408B5GACAUTO	0402 / 1005	0.4	±0.10 pF	50	COG	100
CBR04C508B5GACAUTO	0402 / 1005	0.5	±0.10 pF	50	COG	100
CBR04C608B5GACAUTO	0402 / 1005	0.6	±0.10 pF	50	COG	100
CBR04C708B5GACAUTO	0402 / 1005	0.7	±0.10 pF	50	COG	100
CBR04C808B5GACAUTO	0402 / 1005	0.8	±0.10 pF	50	COG	100
CBR04C908B5GACAUTO	0402 / 1005	0.9	±0.10 pF	50	COG	100
CBR04C109B5GACAUTO	0402 / 1005	1.0	±0.10 pF	50	COG	100
CBR04C129B5GACAUTO	0402 / 1005	1.2	±0.10 pF	50	COG	100
CBR04C159B5GACAUTO	0402 / 1005	1.5	±0.10 pF	50	COG	100
CBR04C189B5GACAUTO	0402 / 1005	1.8	±0.10 pF	50	COG	100
CBR04C209B5GACAUTO	0402 / 1005	2.0	±0.10 pF	50	COG	100
CBR04C229B5GACAUTO	0402 / 1005	2.2	±0.10 pF	50	COG	100
CBR04C279B5GACAUTO	0402 / 1005	2.7	±0.10 pF	50	COG	100
CBR04C309B5GACAUTO	0402 / 1005	3.0	±0.10 pF	50	COG	100
CBR04C339B5GACAUTO	0402 / 1005	3.3	±0.10 pF	50	COG	100
CBR04C399B5GACAUTO	0402 / 1005	3.9	±0.10 pF	50	COG	100
CBR04C409B5GACAUTO	0402 / 1005	4.0	±0.10 pF	50	COG	100
CBR04C479B5GACAUTO	0402 / 1005	4.7	±0.10 pF	50	COG	100
CBR04C509C5GACAUTO	0402 / 1005	5.0	±0.25 pF	50	COG	100
CBR04C569C5GACAUTO	0402 / 1005	5.6	±0.25 pF	50	COG	100
CBR04C609C5GACAUTO	0402 / 1005	6.0	±0.25 pF	50	COG	100
CBR04C689C5GACAUTO	0402 / 1005	6.8	±0.25 pF	50	COG	100
CBR04C709C5GACAUTO	0402 / 1005	7.0	±0.25 pF	50	COG	100
CBR04C759C5GACAUTO	0402 / 1005	7.5	±0.25 pF	50	COG	100
CBR04C809C5GACAUTO	0402 / 1005	8.0	±0.25 pF	50	COG	100
CBR04C829C5GACAUTO	0402 / 1005	8.2	±0.25 pF	50	COG	100
CBR04C909C5GACAUTO	0402 / 1005	9.0	±0.25 pF	50	COG	100
KEMET Part Number	Case Size	Capacitance	Cap Tolerance	Rated Voltage	Dielectric	Quantity

Built Into Tomorrow

## Sample Kit Contents cont.

KEMET Part Number	Case Size	Capacitance	Cap Tolerance	Rated Voltage	Dielectric	Quantity
	EIA/Metric	(pF)		(V)		
CBR04C100J5GACAU0	0402 / 1005	10.0	±5%	50	COG	100
CBR04C120J5GACAU0	0402 / 1005	12.0	±5%	50	COG	100
CBR04C150J5GACAU0	0402 / 1005	15.0	±5%	50	COG	100
CBR04C180J5GACAU0	0402 / 1005	18.0	±5%	50	COG	100
CBR04C220J5GACAU0	0402 / 1005	22.0	±5%	50	COG	100
CBR04C270J5GACAU0	0402 / 1005	27.0	±5%	50	COG	100
CBR04C330J5GACAU0	0402 / 1005	33.0	±5%	50	COG	100
CBR04C390J5GACAU0	0402 / 1005	39.0	±5%	50	COG	100
CBR04C470J5GACAU0	0402 / 1005	47.0	±5%	50	COG	100
CBR04C560J5GACAU0	0402 / 1005	56.0	±5%	50	COG	100
CBR04C680J5GACAU0	0402 / 1005	68.0	±5%	50	COG	100
CBR04C820J5GACAU0	0402 / 1005	82.0	±5%	50	COG	100
CBR04C101J5GACAU0	0402 / 1005	100.0	±5%	50	COG	100
KEMET Part Number	Case Size	Capacitance	Cap Tolerance	Rated Voltage	Dielectric	Quantity

## Dimensions – Millimeters (Inches)



EIA Size Code	Metric Size Code	L Length	W Width	T Thickness	B Bandwidth	Mounting Technique
0402	1005	1.00 ±0.05 (0.040 ±0.002)	0.50 ±0.05 (0.020 ±0.002)	0.50 ±0.05 (0.020 ±0.002)	0.25 +0.05/-0.10 (0.010 +0.002/-0.004)	Solder Reflow Only

## KEMET Electronics Corporation Sales Offices

For a complete list of our global sales offices, please visit [www.kemet.com/sales](http://www.kemet.com/sales).

---

### Disclaimer

YAGEO Corporation and its affiliates do not recommend the use of commercial or automotive grade products for high reliability applications or manned space flight.

All product specifications, statements, information and data (collectively, the "Information") in this datasheet are subject to change. The customer is responsible for checking and verifying the extent to which the Information contained in this publication is applicable to an order at the time the order is placed. All Information given herein is believed to be accurate and reliable, but it is presented without guarantee, warranty, or responsibility of any kind, expressed or implied.

Statements of suitability for certain applications are based on KEMET Electronics Corporation's ("KEMET") knowledge of typical operating conditions for such applications, but are not intended to constitute – and KEMET specifically disclaims – any warranty concerning suitability for a specific customer application or use. The Information is intended for use only by customers who have the requisite experience and capability to determine the correct products for their application. Any technical advice inferred from this Information or otherwise provided by KEMET with reference to the use of KEMET's products is given gratis, and KEMET assumes no obligation or liability for the advice given or results obtained.

Although KEMET designs and manufactures its products to the most stringent quality and safety standards, given the current state of the art, isolated component failures may still occur. Accordingly, customer applications which require a high degree of reliability or safety should employ suitable designs or other safeguards (such as installation of protective circuitry or redundancies) in order to ensure that the failure of an electrical component does not result in a risk of personal injury or property damage.

Although all product-related warnings, cautions and notes must be observed, the customer should not assume that all safety measures are indicated or that other measures may not be required.

*KEMET is a registered trademark of KEMET Electronics Corporation.*