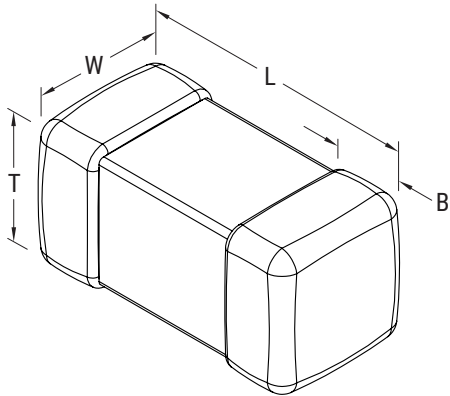


Sample Kit Contents

KEMET Part Number	Case Size	Capacitance	Cap Tolerance	Rated Voltage	Dielectric	Quantity
	EIA/Metric	(pF)	%	(V)		
CBR08C208BCGAC	0805 / 2012	0.2	±0.1 pF	500	COG	50
CBR08C308BCGAC	0805 / 2012	0.3	±0.1 pF	500	COG	50
CBR08C408BCGAC	0805 / 2012	0.4	±0.1 pF	500	COG	50
CBR08C508BCGAC	0805 / 2012	0.5	±0.1 pF	500	COG	50
CBR08C608BCGAC	0805 / 2012	0.6	±0.1 pF	500	COG	50
CBR08C708BCGAC	0805 / 2012	0.7	±0.1 pF	500	COG	50
CBR08C808BCGAC	0805 / 2012	0.8	±0.1 pF	500	COG	50
CBR08C908BCGAC	0805 / 2012	0.9	±0.1 pF	500	COG	50
CBR08C109BCGAC	0805 / 2012	1.0	±0.1 pF	500	COG	50
CBR08C129BCGAC	0805 / 2012	1.2	±0.1 pF	500	COG	50
CBR08C159BCGAC	0805 / 2012	1.5	±0.1 pF	500	COG	50
CBR08C189BCGAC	0805 / 2012	1.8	±0.1 pF	500	COG	50
CBR08C209BCGAC	0805 / 2012	2.0	±0.1 pF	500	COG	50
CBR08C229BCGAC	0805 / 2012	2.2	±0.1 pF	500	COG	50
CBR08C279BCGAC	0805 / 2012	2.7	±0.1 pF	500	COG	50
CBR08C309BCGAC	0805 / 2012	3.0	±0.1 pF	500	COG	50
CBR08C339BCGAC	0805 / 2012	3.3	±0.1 pF	500	COG	50
CBR08C399BCGAC	0805 / 2012	3.9	±0.1 pF	500	COG	50
CBR08C409BCGAC	0805 / 2012	4.0	±0.1 pF	500	COG	50
CBR08C479BCGAC	0805 / 2012	4.7	±0.1 pF	500	COG	50
CBR08C509CCGAC	0805 / 2012	5.0	±0.25 pF	500	COG	50
CBR08C569CCGAC	0805 / 2012	5.6	±0.25 pF	500	COG	50
CBR08C609CCGAC	0805 / 2012	6.0	±0.25 pF	500	COG	50
CBR08C689CCGAC	0805 / 2012	6.8	±0.25 pF	500	COG	50
CBR08C709CCGAC	0805 / 2012	7.0	±0.25 pF	500	COG	50
CBR08C759CCGAC	0805 / 2012	7.5	±0.25 pF	500	COG	50
CBR08C809CCGAC	0805 / 2012	8.0	±0.25 pF	500	COG	50
CBR08C829CCGAC	0805 / 2012	8.2	±0.25 pF	500	COG	50
CBR08C909CCGAC	0805 / 2012	9.0	±0.25 pF	500	COG	50
CBR08C100JCGAC	0805 / 2012	10.0	5%	500	COG	50
CBR08C120JCGAC	0805 / 2012	12.0	5%	500	COG	50
CBR08C150JCGAC	0805 / 2012	15.0	5%	500	COG	50
CBR08C180JCGAC	0805 / 2012	18.0	5%	500	COG	50
CBR08C220JCGAC	0805 / 2012	22.0	5%	500	COG	50
CBR08C270JCGAC	0805 / 2012	27.0	5%	500	COG	50
CBR08C330JCGAC	0805 / 2012	33.0	5%	500	COG	50
CBR08C390JCGAC	0805 / 2012	39.0	5%	500	COG	50
CBR08C470JCGAC	0805 / 2012	47.0	5%	500	COG	50
CBR08C560JCGAC	0805 / 2012	56.0	5%	500	COG	50
CBR08C680JCGAC	0805 / 2012	68.0	5%	500	COG	50
CBR08C820JAGAC	0805 / 2012	82.0	5%	500	COG	50
CBR08C101JAGAC	0805 / 2012	100.0	5%	500	COG	50
KEMET Part Number	Case Size	Capacitance	Cap Tolerance	Rated Voltage	Dielectric	Quantity

Dimensions – Millimeters (Inches)



Case Size (in.)	Case Size (mm)	L Length	W Width	T Thickness	B Bandwidth	Mounting Technique
0805	2012	2.00 ±0.20 (0.079 ±0.008)	1.25 ±0.20 (0.049 ±0.008)	0.85 ±0.10 (0.031 ±0.004)	0.50 ±0.25 (0.020 ±0.01)	Solder Wave or Solder Reflow

KEMET Electronics Corporation Sales Offices

For a complete list of our global sales offices, please visit www.kemet.com/sales.

Disclaimer

YAGEO Corporation and its affiliates do not recommend the use of commercial or automotive grade products for high reliability applications or manned space flight.

All product specifications, statements, information and data (collectively, the "Information") in this datasheet are subject to change. The customer is responsible for checking and verifying the extent to which the Information contained in this publication is applicable to an order at the time the order is placed. All Information given herein is believed to be accurate and reliable, but it is presented without guarantee, warranty, or responsibility of any kind, expressed or implied.

Statements of suitability for certain applications are based on KEMET Electronics Corporation's ("KEMET") knowledge of typical operating conditions for such applications, but are not intended to constitute – and KEMET specifically disclaims – any warranty concerning suitability for a specific customer application or use. The Information is intended for use only by customers who have the requisite experience and capability to determine the correct products for their application. Any technical advice inferred from this Information or otherwise provided by KEMET with reference to the use of KEMET's products is given gratis, and KEMET assumes no obligation or liability for the advice given or results obtained.

Although KEMET designs and manufactures its products to the most stringent quality and safety standards, given the current state of the art, isolated component failures may still occur. Accordingly, customer applications which require a high degree of reliability or safety should employ suitable designs or other safeguards (such as installation of protective circuitry or redundancies) in order to ensure that the failure of an electrical component does not result in a risk of personal injury or property damage.

Although all product-related warnings, cautions and notes must be observed, the customer should not assume that all safety measures are indicated or that other measures may not be required.

KEMET is a registered trademark of KEMET Electronics Corporation.